



# 22-C Ford F-150 Lightning Mud Flap Set, Front Mounting Diagram & Instructions GCR415F

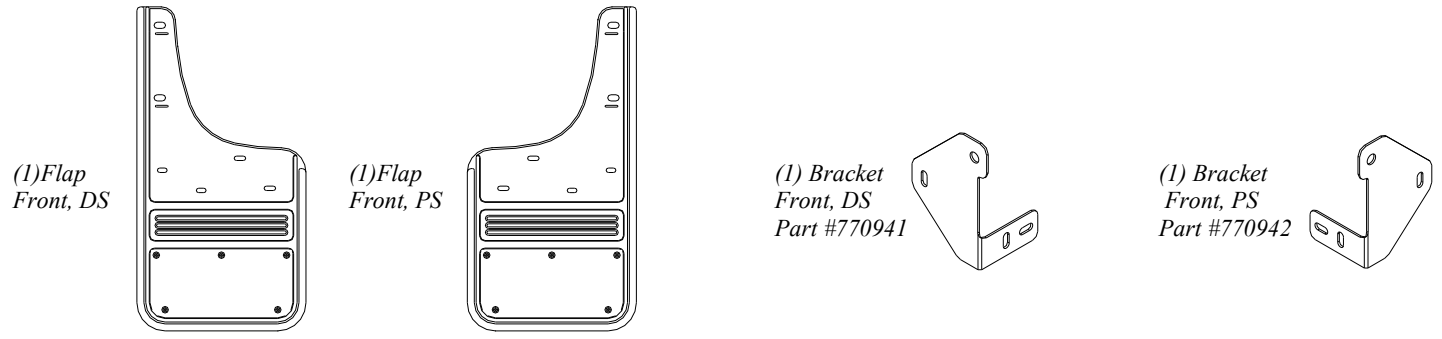
## IMPORTANT:

Manufacturer is not responsible for negligent use of vehicle with mud flaps installed, including over-tightening of screws and bolts causing damage to vehicle or mud flaps.

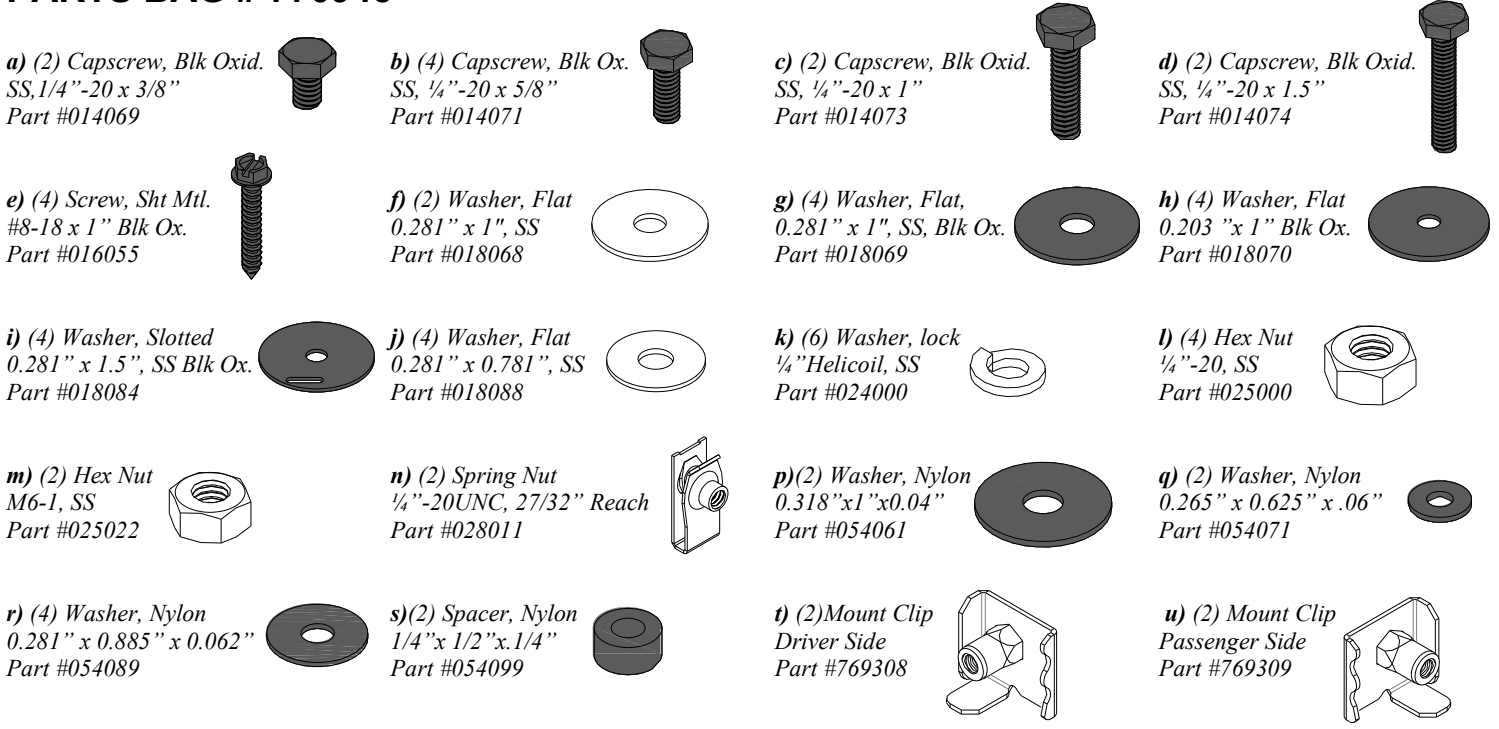
## TOOLS REQUIRED-



## FLAPS AND BRACKETS

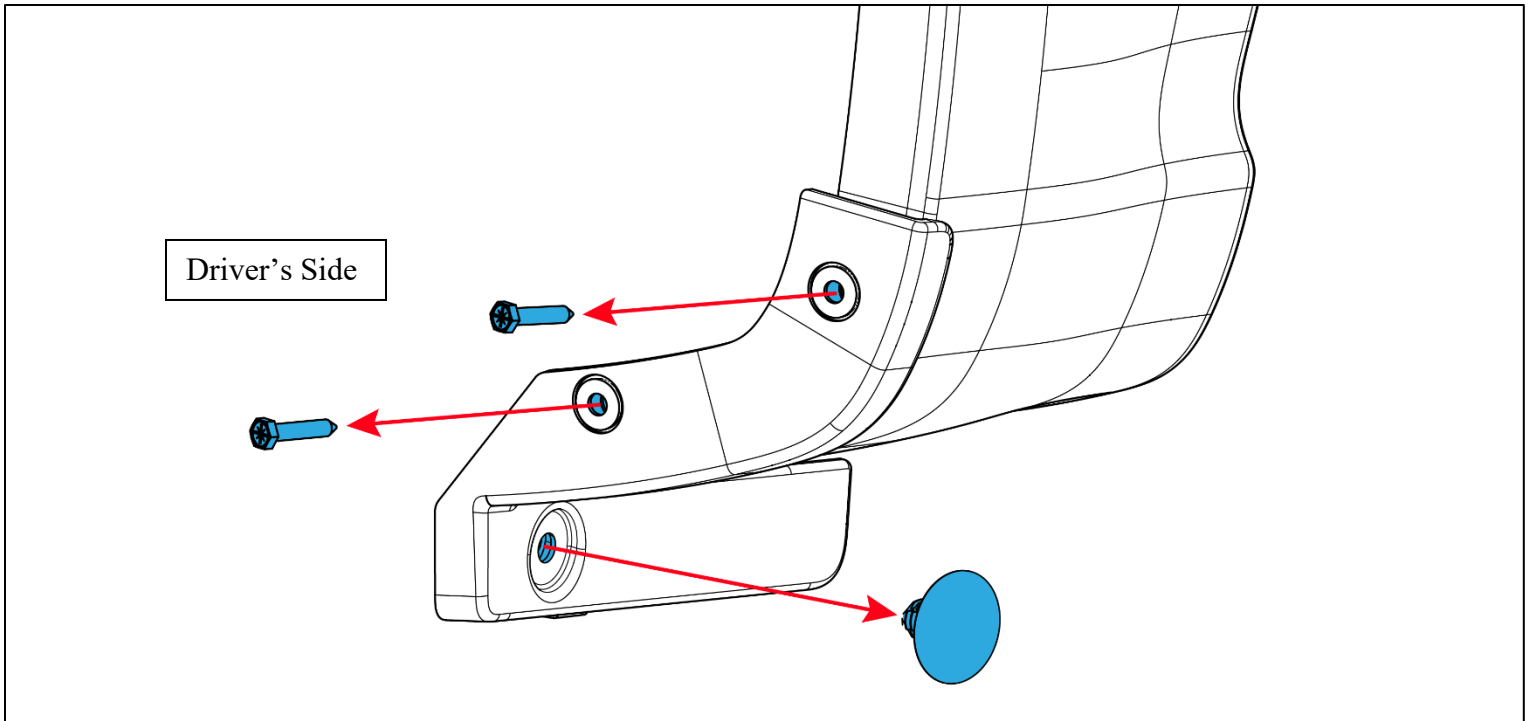


## PARTS BAG # 770945

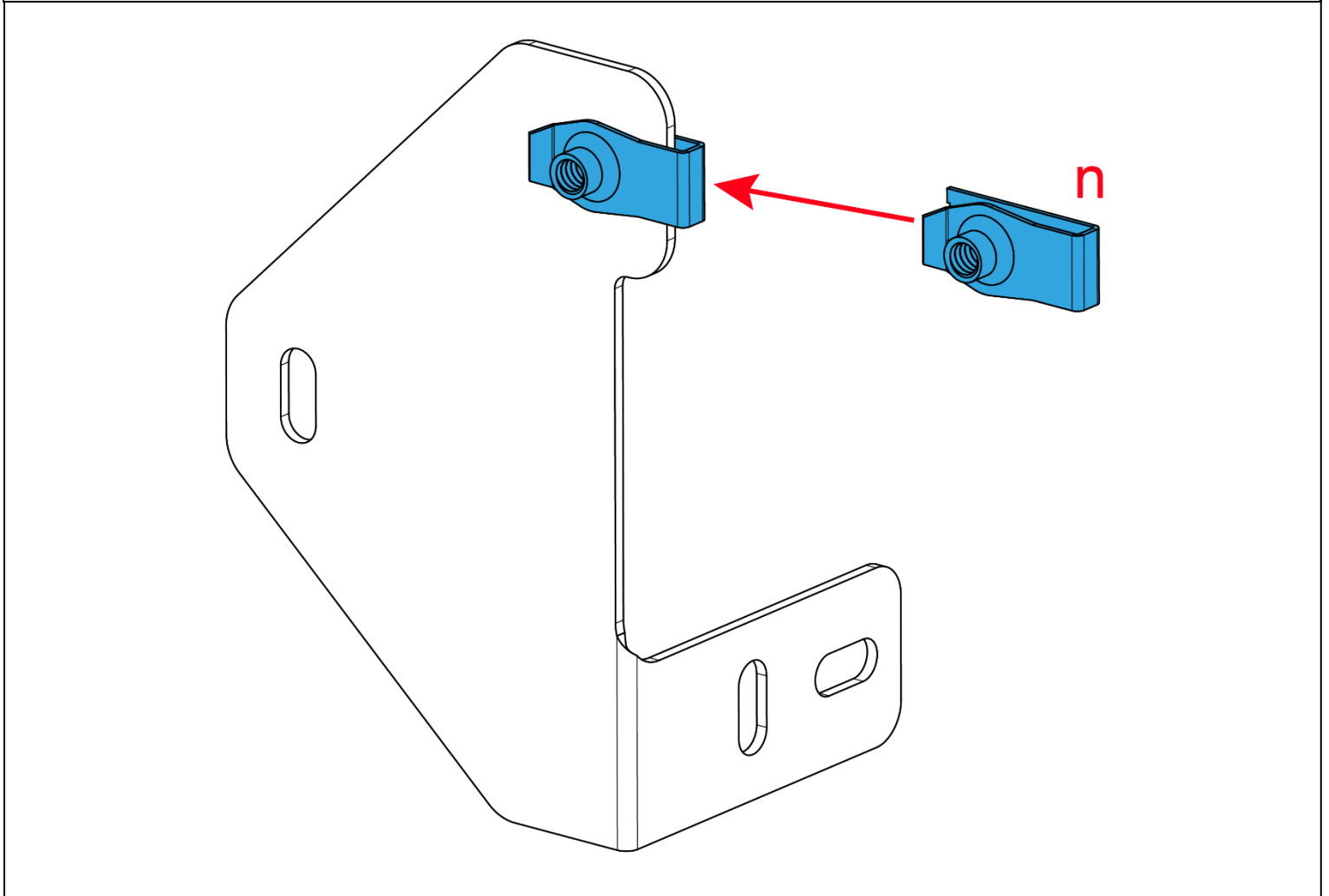


**INSTALLATION** *(For ease of installation it is suggested that the wheel be removed)*

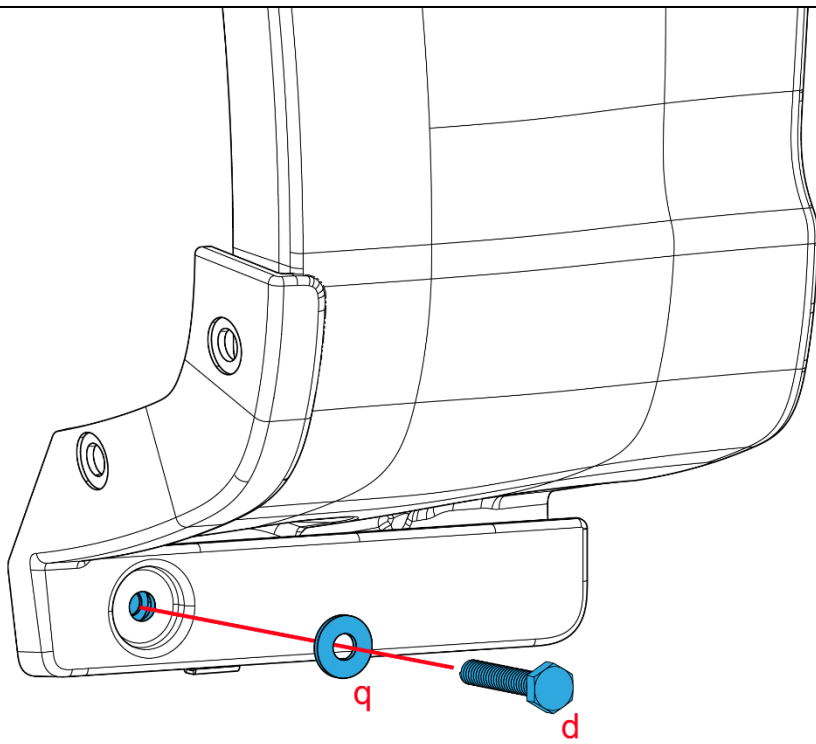
Note: Before you install your Mud Flap Set, see the diagram and parts list for all necessary parts.



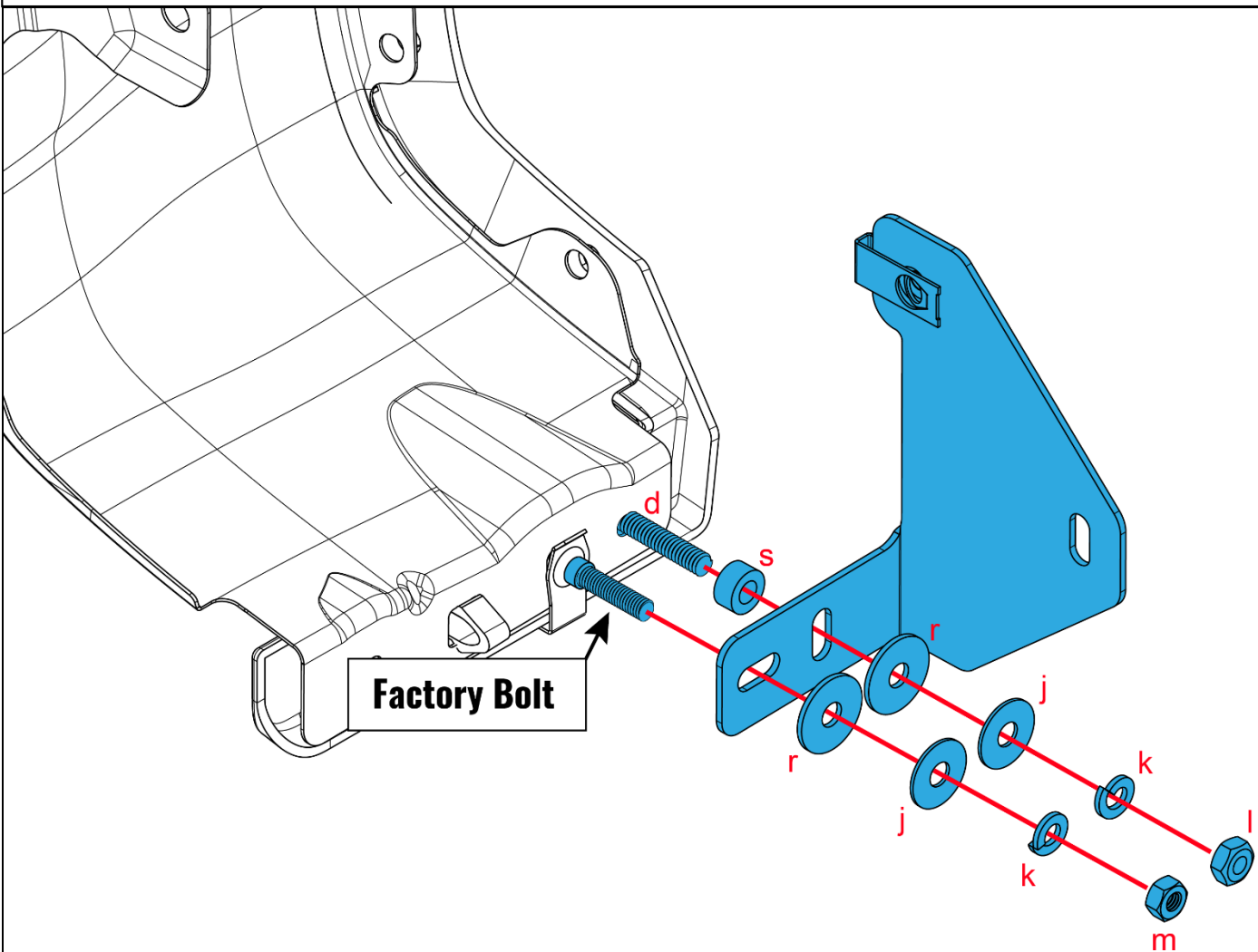
1-1 Remove factory hardware as shown.



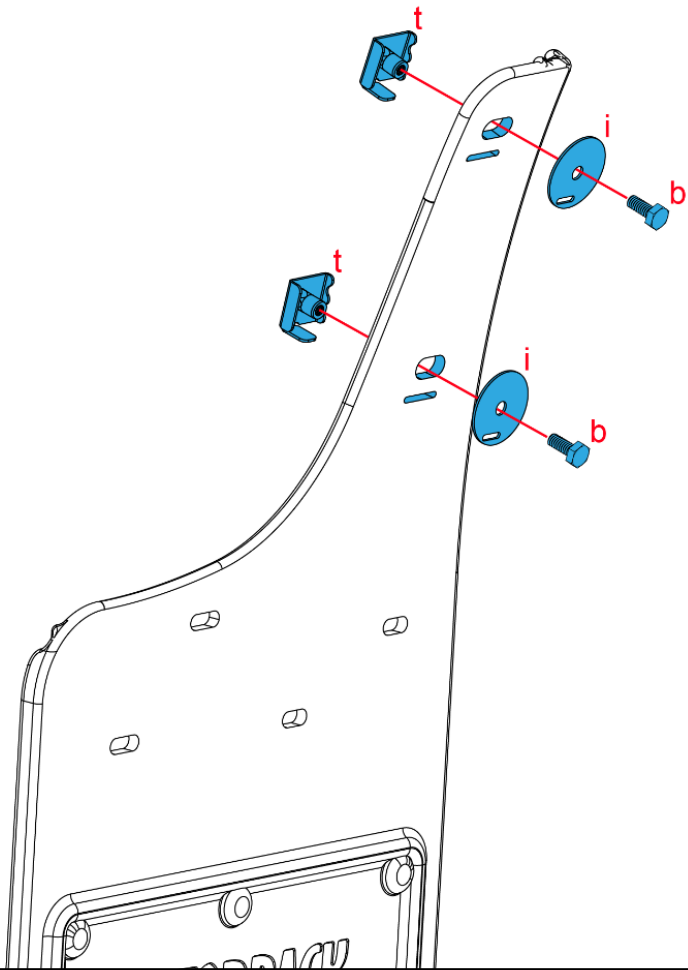
2-1 Install spring nut on bracket as shown.



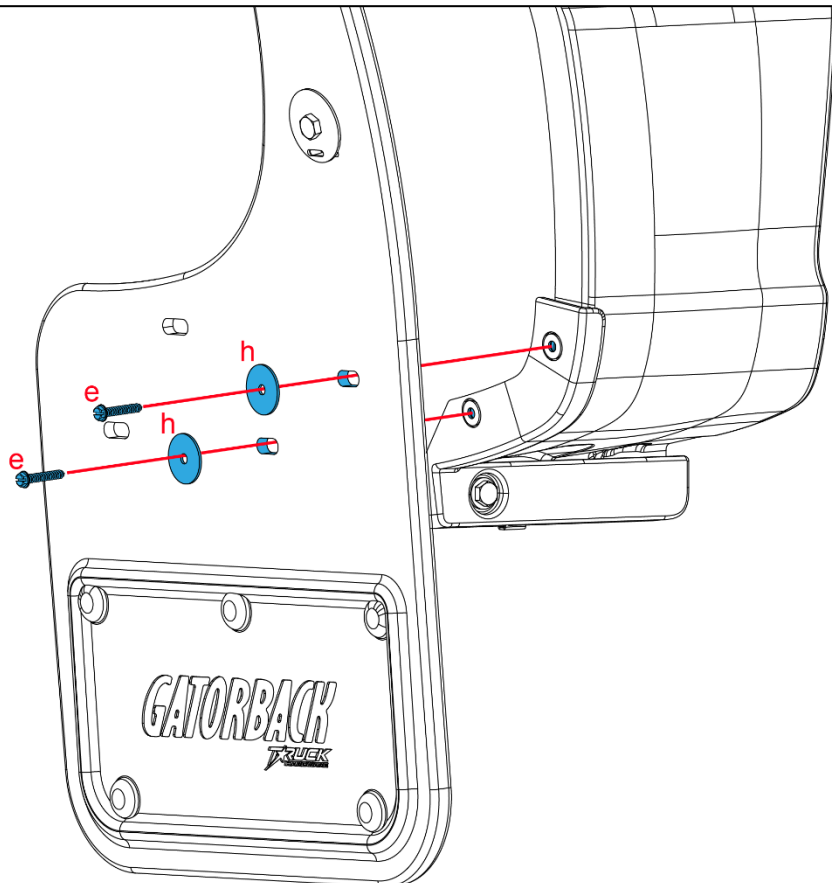
3-1 Install hardware on bracket as shown.



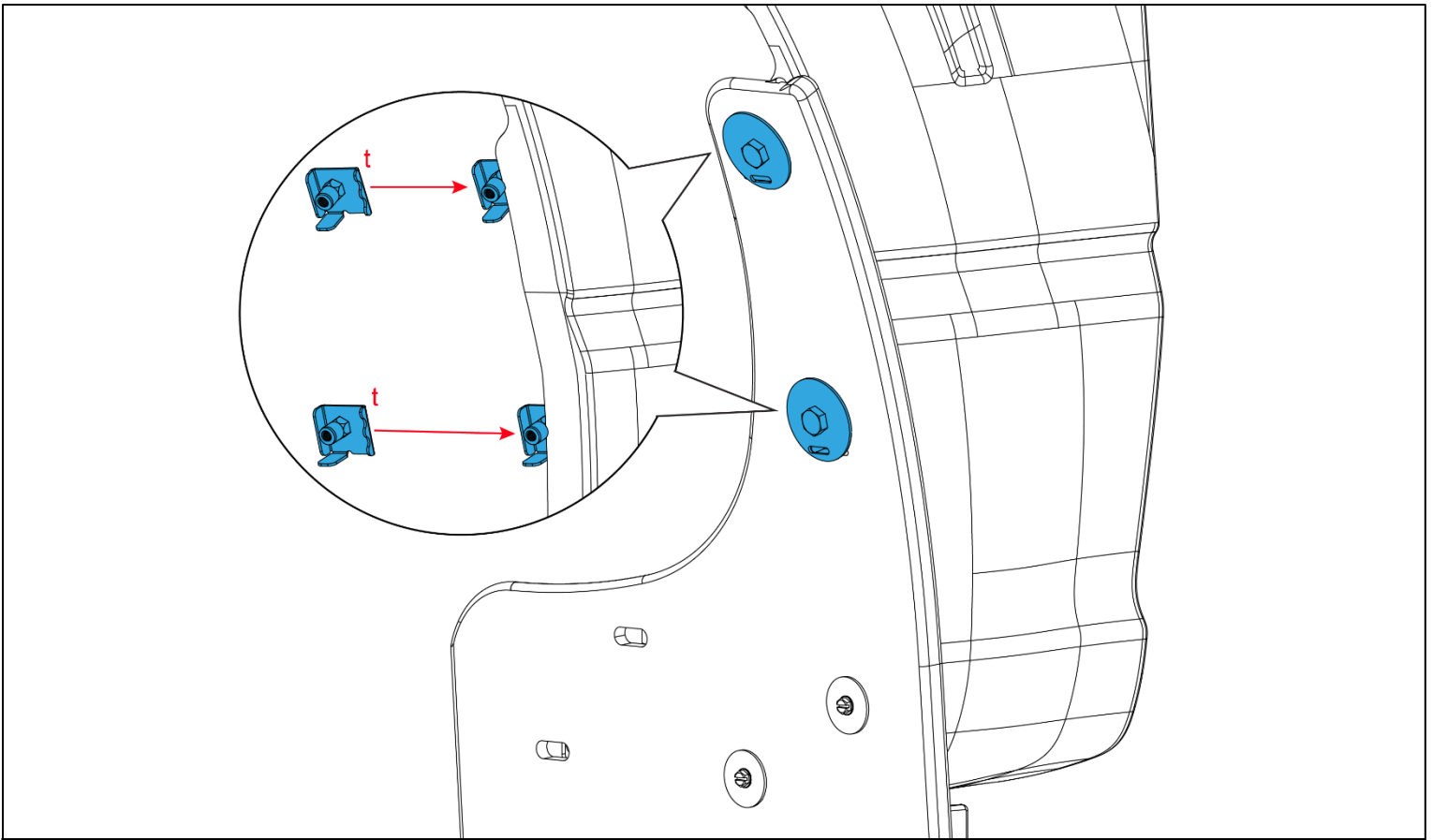
3-2 Secure bracket as shown.



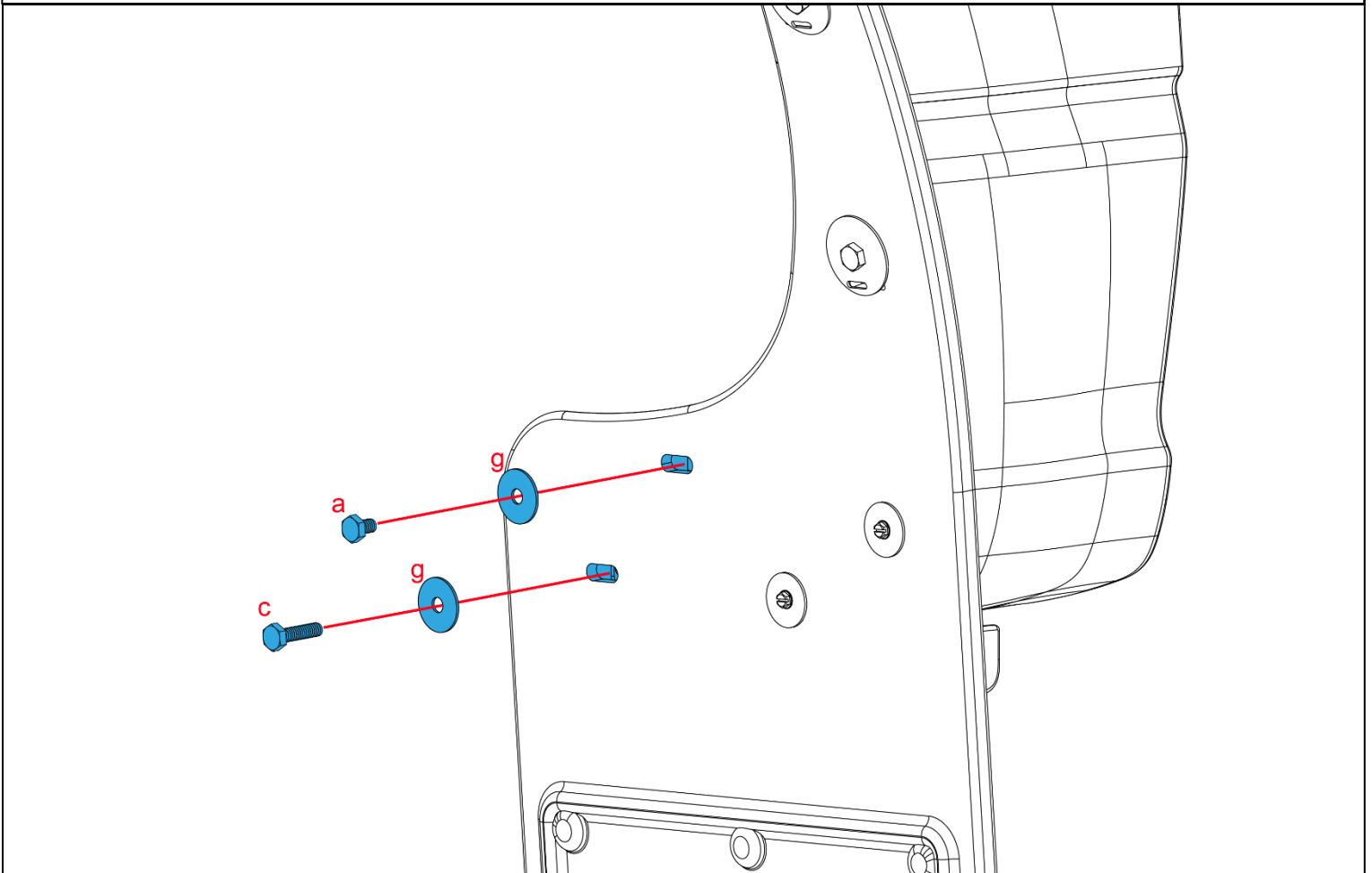
4-1 Loosely install mount clips to rubber as shown.



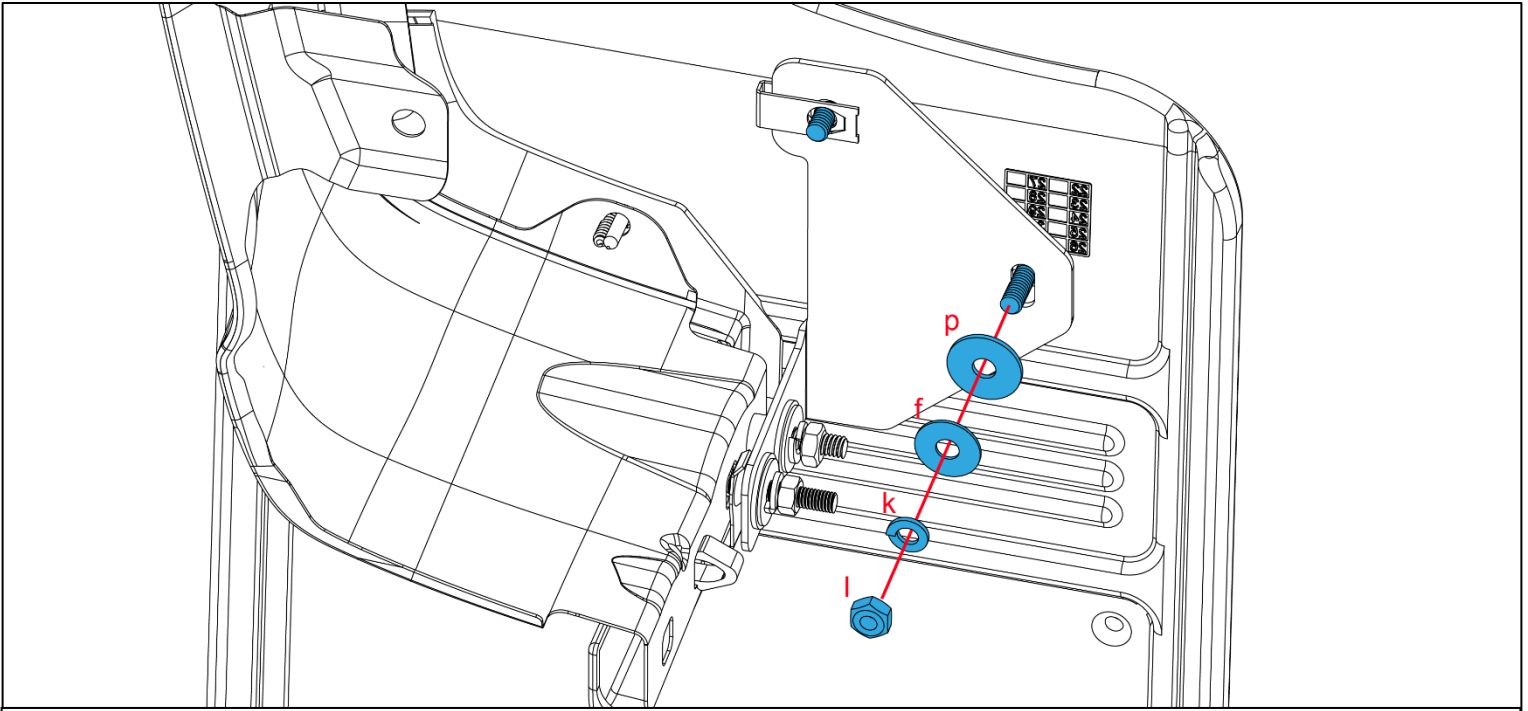
5-1 Loosely install hardware as shown.



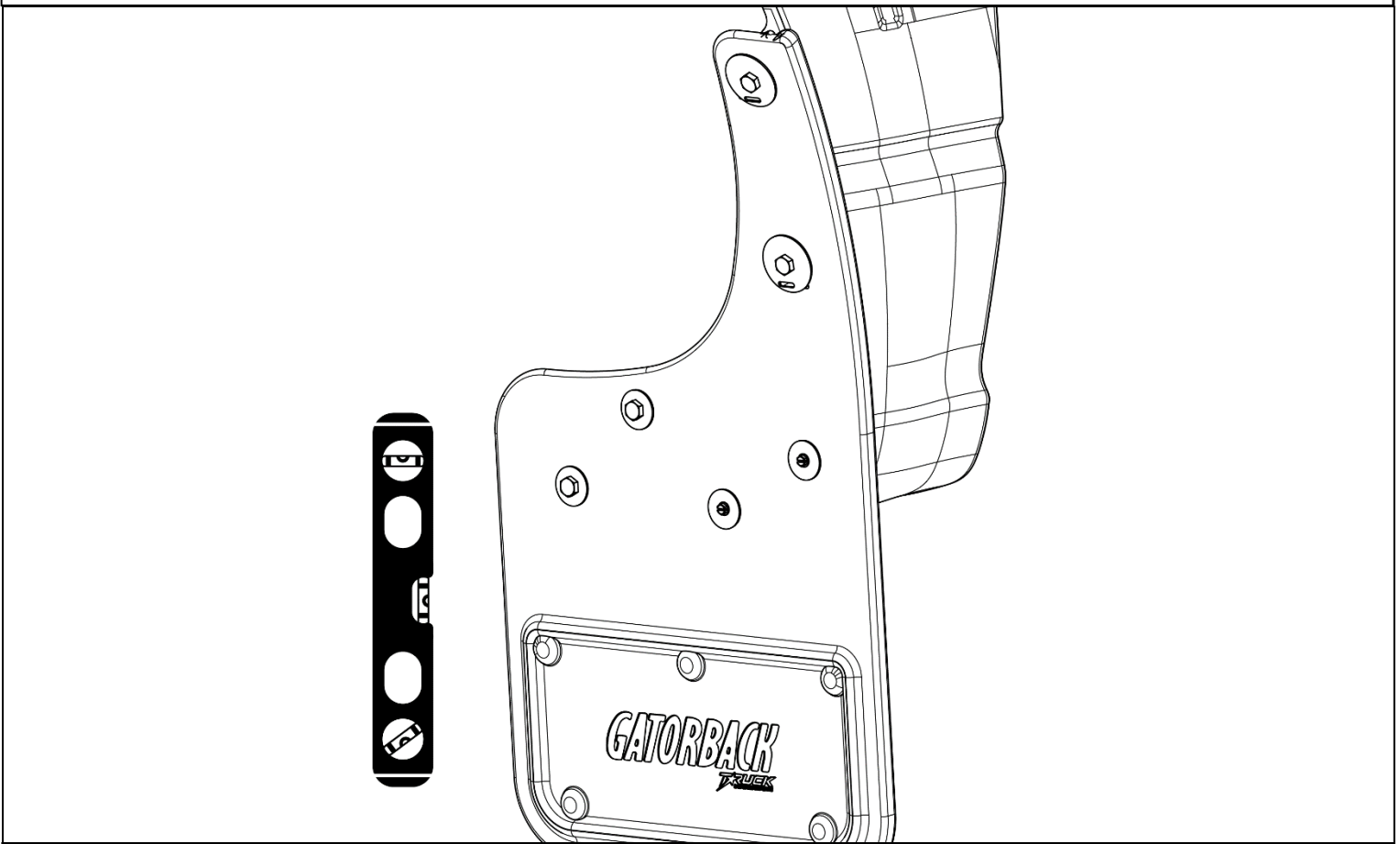
6-1 Slide mount clips behind fender lip as shown.



7-1 Loosely install hardware as shown.



7-2 Secure hardware installed in step 7-1 as shown.



8-1 Use a level and visually determine your mud flap is straight. Gently tighten all fasteners.

Please check out our YouTube channel to see an install video for this application.



1520 - 33 St N • Lethbridge, AB T1H 5H3 • Canada  
Toll free: 1-800-661-8208 • Email: info@truckhardware.ca • www.truckhardware.ca





# 22-C Ford F-150 Lightning Mud Flap Set, Rear Mounting Diagram & Instructions GCR415R

## IMPORTANT:

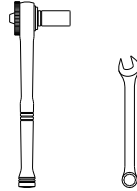
Manufacturer is not responsible for negligent use of vehicle with mud flaps installed, including over-tightening of screws and bolts causing damage to vehicle or mud flaps.



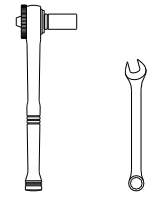
## TOOLS REQUIRED-



Push Pin  
Removal Tool

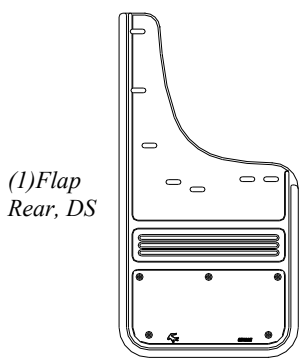


7/16" Open Wrench  
and Socket Wrench

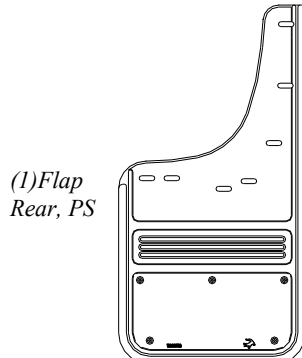


1/4" Open Wrench  
or Socket Wrench

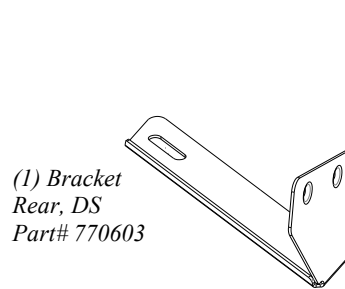
## FLAPS AND BRACKETS



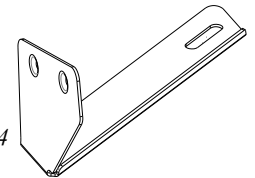
(1) Flap  
Rear, DS



(1) Flap  
Rear, PS



(1) Bracket  
Rear, DS  
Part# 770603



(1) Bracket  
Rear, PS  
Part#770604

## PARTS BAG # 770531

**a)** (4) Capscrew, Blk Oxid.  
SS, 1/4"-20UNC x 3/8"  
Part #014069



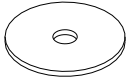
**b)** (4) Cap Screw  
1/4"-20UNC x 1", SS, Blk. Oxid  
Part #014073



**c)** (8) Screw, Sht Mtl.  
#8-15 x 1" Blk Ox.  
Part #016057



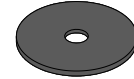
**d)** (4) Washer, Flat  
0.281" x 1" SS  
Part #018068



**e)** (8) Washer, Flat,  
0.281" x 1", SS, Blk Ox.  
Part #018069



**f)** (8) Washer, Flat  
0.203" x 1" Blk Ox.  
Part #018070



**g)** (4) Washer, Flat  
1/4" Helicoil, SS  
Part #024000



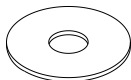
**h)** (4) Hex Nut  
1/4"-20, SS  
Part #025000



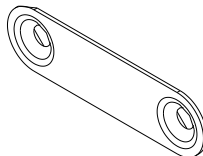
**i)** (4) Spring Nut  
1/4"-20UNC, 0.84" Reach  
Part #028010



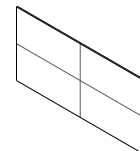
**j)** (4) Washer, Nylon  
0.318" x 1" x 0.04"  
Part #054061



**k)** (2) Strip Nut  
2021 F-150 Rear  
Part #769807

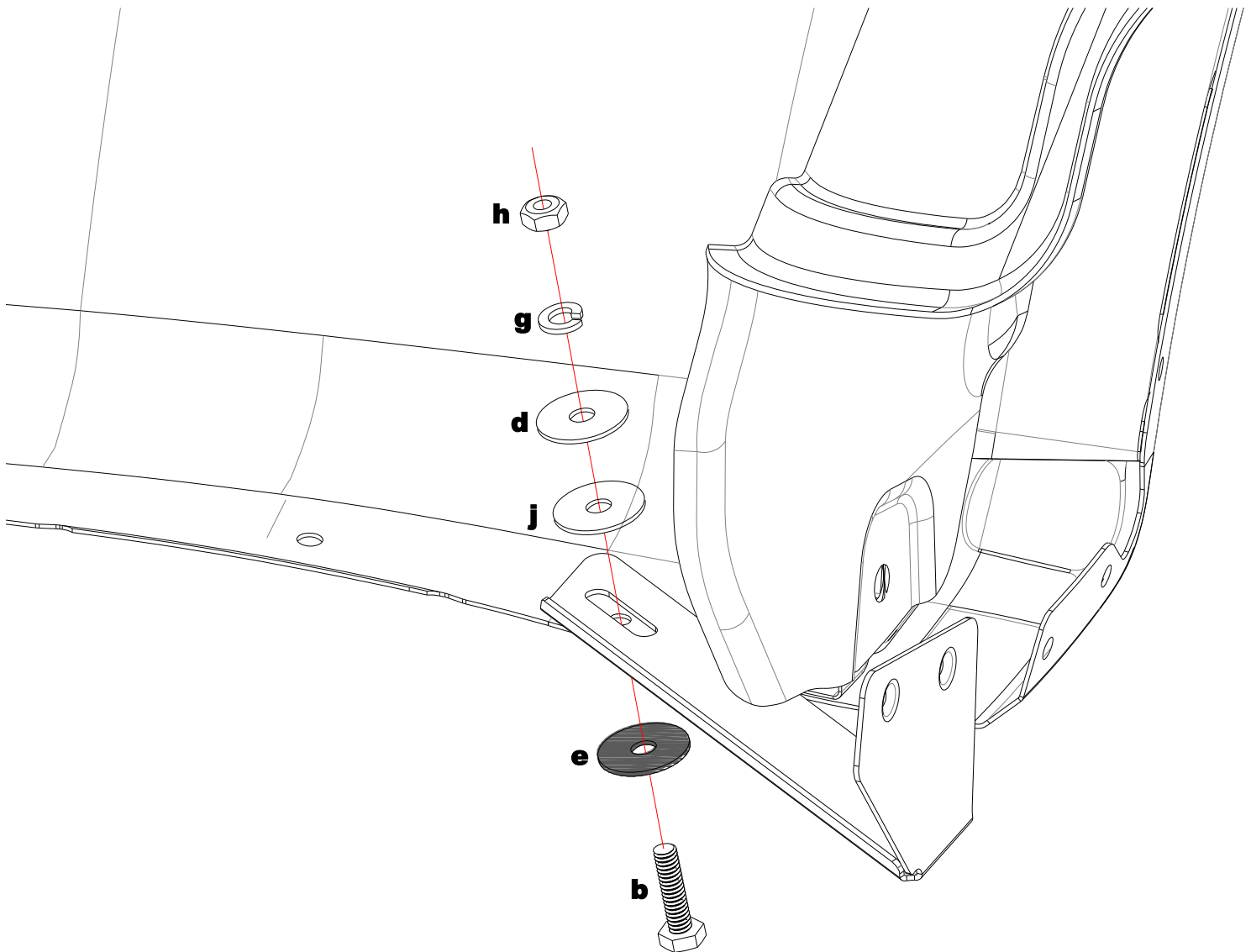


**l)** (1) Protective Tape  
Universal  
Part #769914



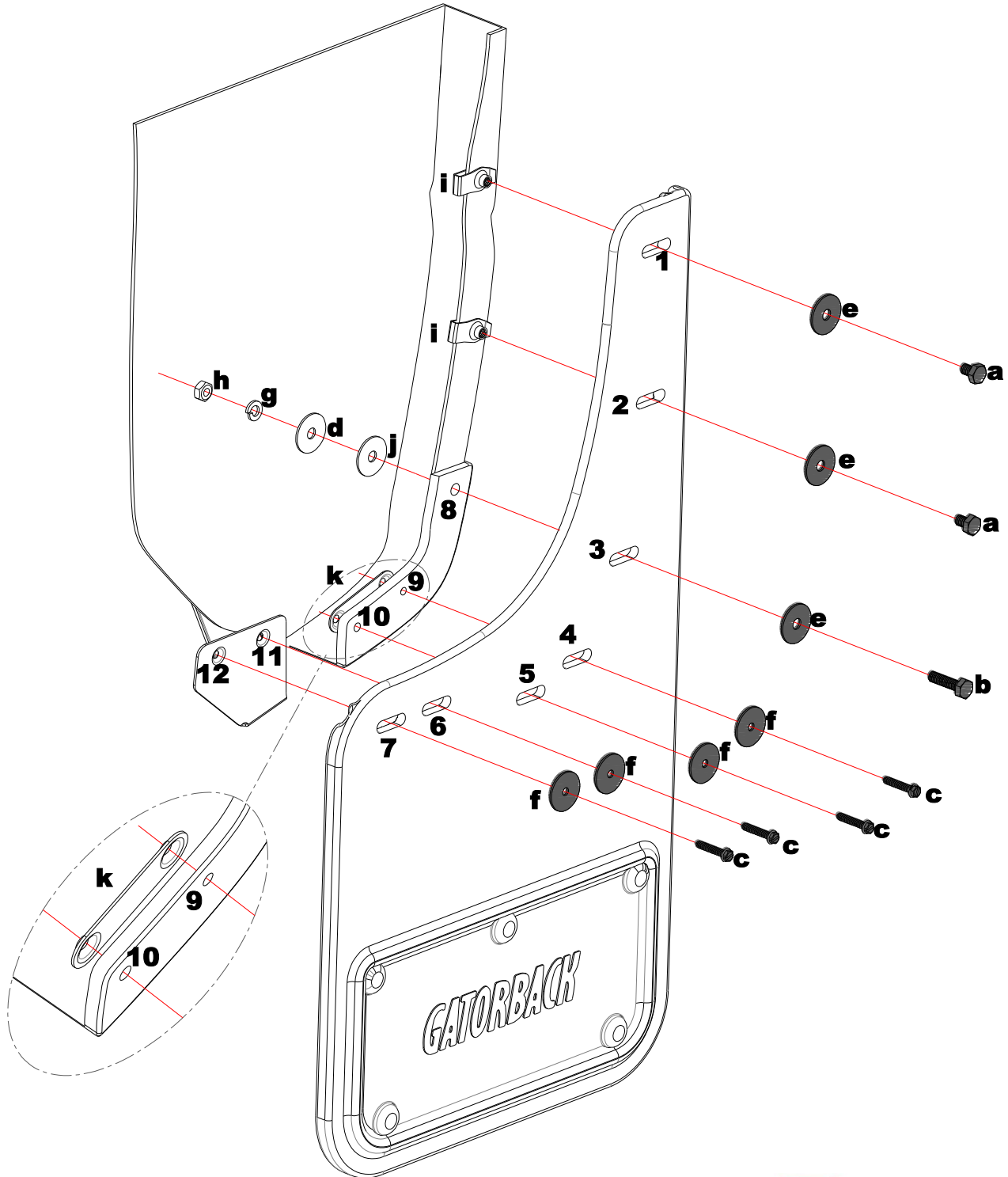
## INSTALLATION *(For ease of installation it is suggested that the wheel be removed)*

1. Before you install your Mud Flap Set, see the diagram and parts list for all necessary parts.
2. Hold up your mudflap aligning the three lower mud flap holes with the three lower factory holes and mark the fender through the upper mud two flap holes to indicate where the protective tape (l) and spring nuts (i) will be installed.
3. Pull flap away and install protective tape (l) over the locations you just marked, wrapping the tape around both sides of the fender.
4. Install spring nuts (i) over the protective tape on the marked locations.
5. Remove the three factory push pins from the lower front of factory guard inside the wheel well, and one factory push pin from the underside of the quarter panel, closest to the wheel well.
6. Install bracket to factory hole on underside of quarter panel using a cap screw (b) and flat washer (e), and secure using a nylon washer (j), flat washer (d), lock washer (g) and hex nut (h).





7. Place strip nut (k) behind factory holes #9 & #10 and install mud flap holes #4 & #5 through factory holes #9 & #10 into strip nut using a sheet metal screw (c) and flat washer (f). Ensure that you hold the strip nut in place while installing screws.
8. Loosely install mud flap hole #3 to factory hole #8 using a capscrew (b) and flat washer (e) and secure using a nylon washer (j), flat washer (d), lock washer (g), and hex nut (h).
9. Loosely install mud flap holes #1 & #2 to spring nuts (i) installed on fender lip using a cap screw (a) and flat washer (e).
10. Loosely install mud flap holes #6 & #7 through bracket holes #11 & #12 using a sheet metal screw (c) and flat washer (f).
11. Using a square or bubble level, ensure that the mud flap is square. Tighten all fasteners.
12. Repeat procedure on the passenger side.



Please check out our YouTube channel to see an install video for this application.

