

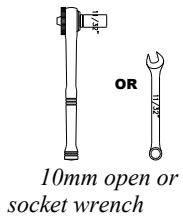
IMPORTANT:

The manufacturer is not responsible for negligent use of vehicle with mud flaps installed, including over-tightening of screws and bolts causing damage to vehicle or mud flaps.

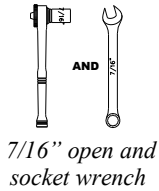
Before you install your Mud Flap Set, see the diagram and parts list for all necessary parts.

All hardware should be loosely installed until all mounting points have been installed and flap has been levelled. It is suggested that final tightening of hardware be done with hand tools to avoid over-tightening.

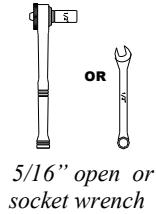
TOOLS REQUIRED:



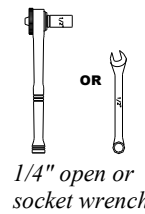
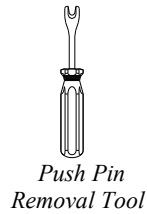
OR



AND



OR

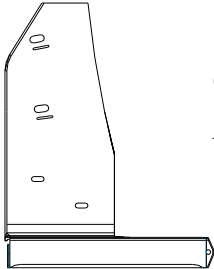


OR

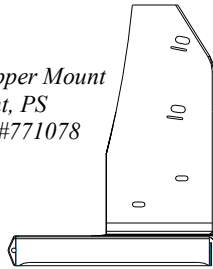


FLAPS AND BRACKETS

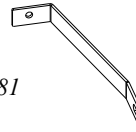
(1) Upper Mount
Front, DS
Part #771077



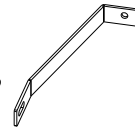
(1) Upper Mount
Front, PS
Part #771078



(1) Bracket
Front, DS
Part #771081

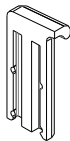


(1) Bracket
Front, PS
Part #771082

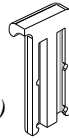


Please note: There will be a plastic piece in the upper mount channel. Please remove and discard.

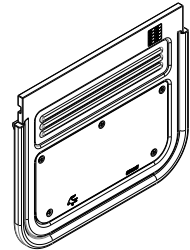
(1) Nylon Cap
Driver Side
Part #080642
(Assembled on Upper Mount)



(1) Nylon Cap
Passenger Side
Part #080643
(Assembled on Upper Mount)

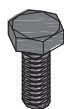


(2) Rubber
Universal
12" x 10-3/4"



PARTS BAG #771083

a) (4) Capscrew, SS, Blk Ox.
1/4" - 20UNC x 5/8"
Part # 014071



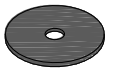
b) (2) Capscrew, SS, Blk Ox.
1/4" - 20UNC x 1.5"
Part #014074



c) (4) Sht Mtl Screw
8-18 x 1" SS Blk Ox
Part #016055



d) (4) Washer, Flat
0.203" x 1" SS Blk Ox
Part # 018070



e) (4) Washer, Slotted
0.281" x 1.5" Blk Ox.
Part #018084



f) (2) Washer, Flat
0.281" x 0.781" SS
Part #018088



g) (2) Washer, Lock
1/4" Helicoil, SS
Part # 024000



h) (2) Hex Nut
1/4"-20, SS
Part # 025000



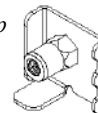
i) (2) Flange Nut,
M6, Serrated
Part #025025



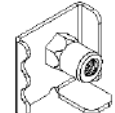
j) (2) Washer, Nylon
0.281" x 0.885" Blk Ox
Part # 054089



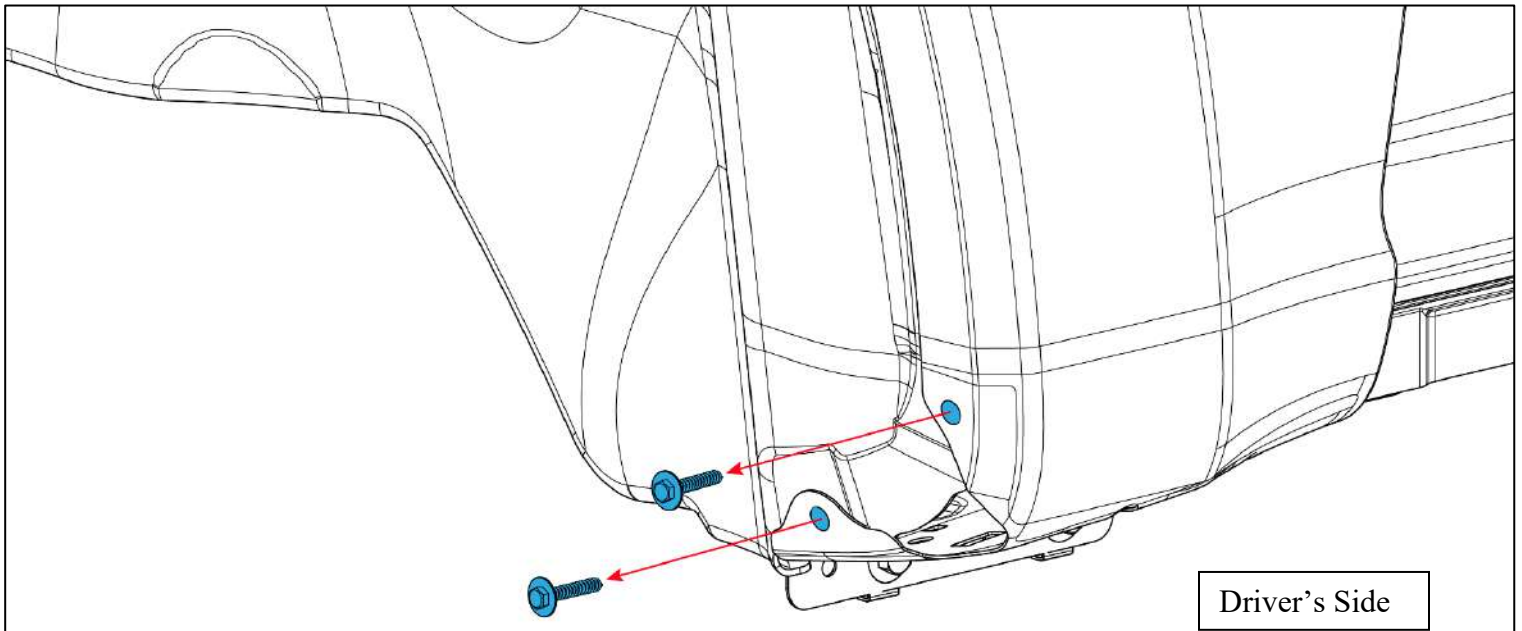
k) (2) Mount Clip
DS
Part # 769308



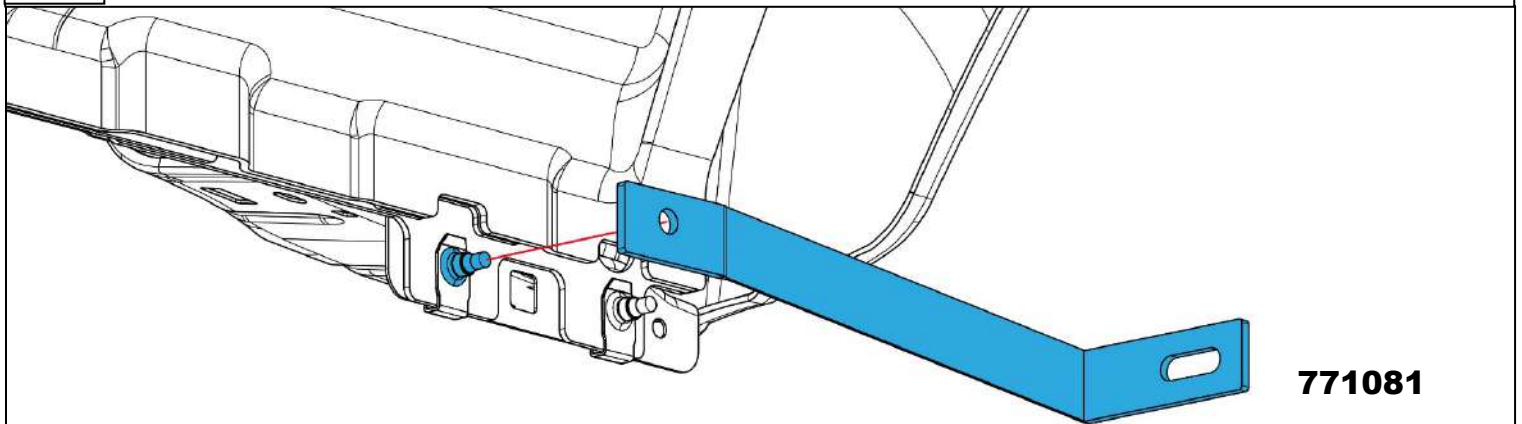
l) (2) Mount Clip
PS
Part #769309



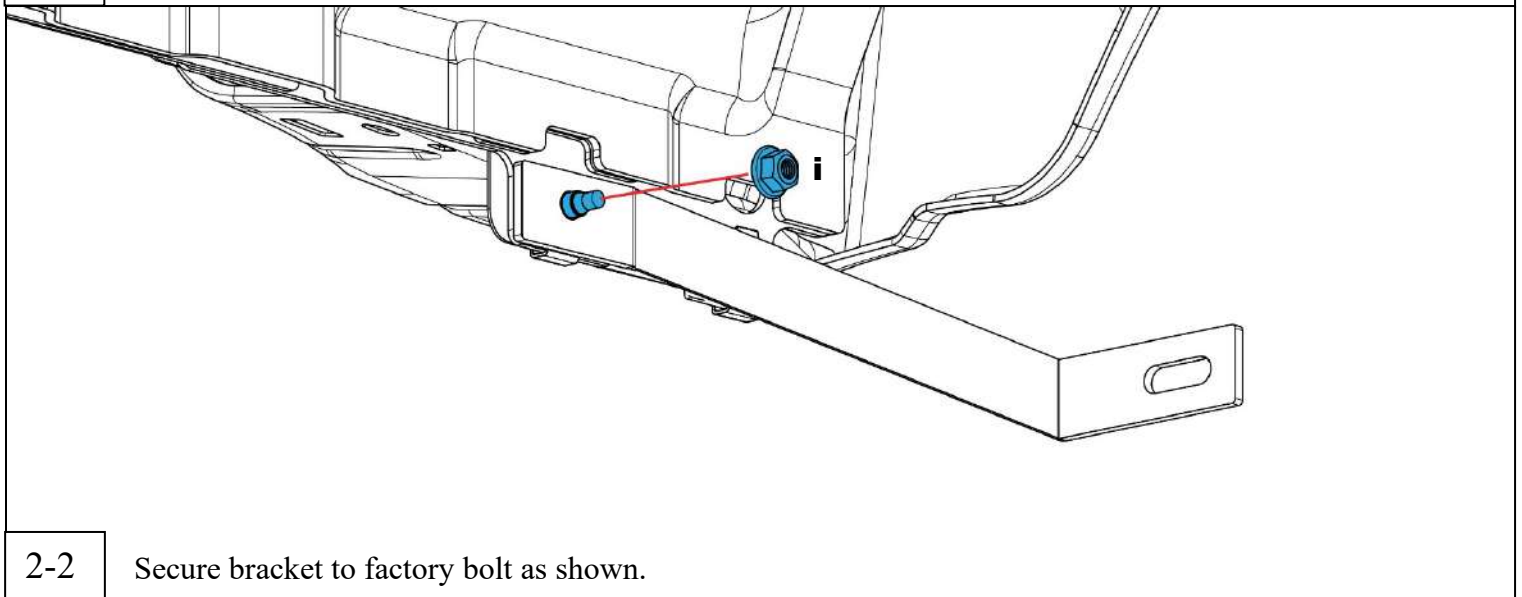
Installation



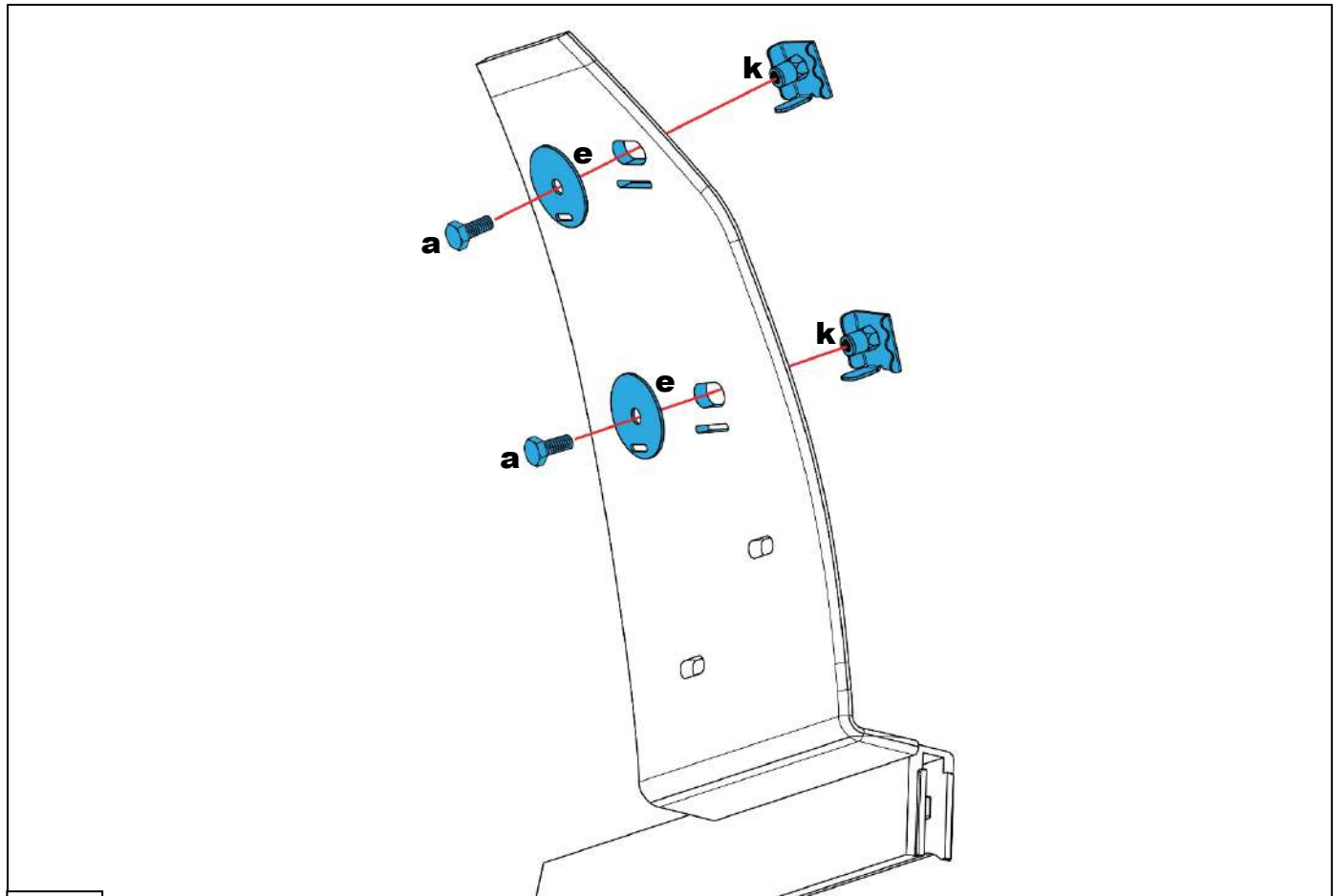
1-1 Remove factory screws.



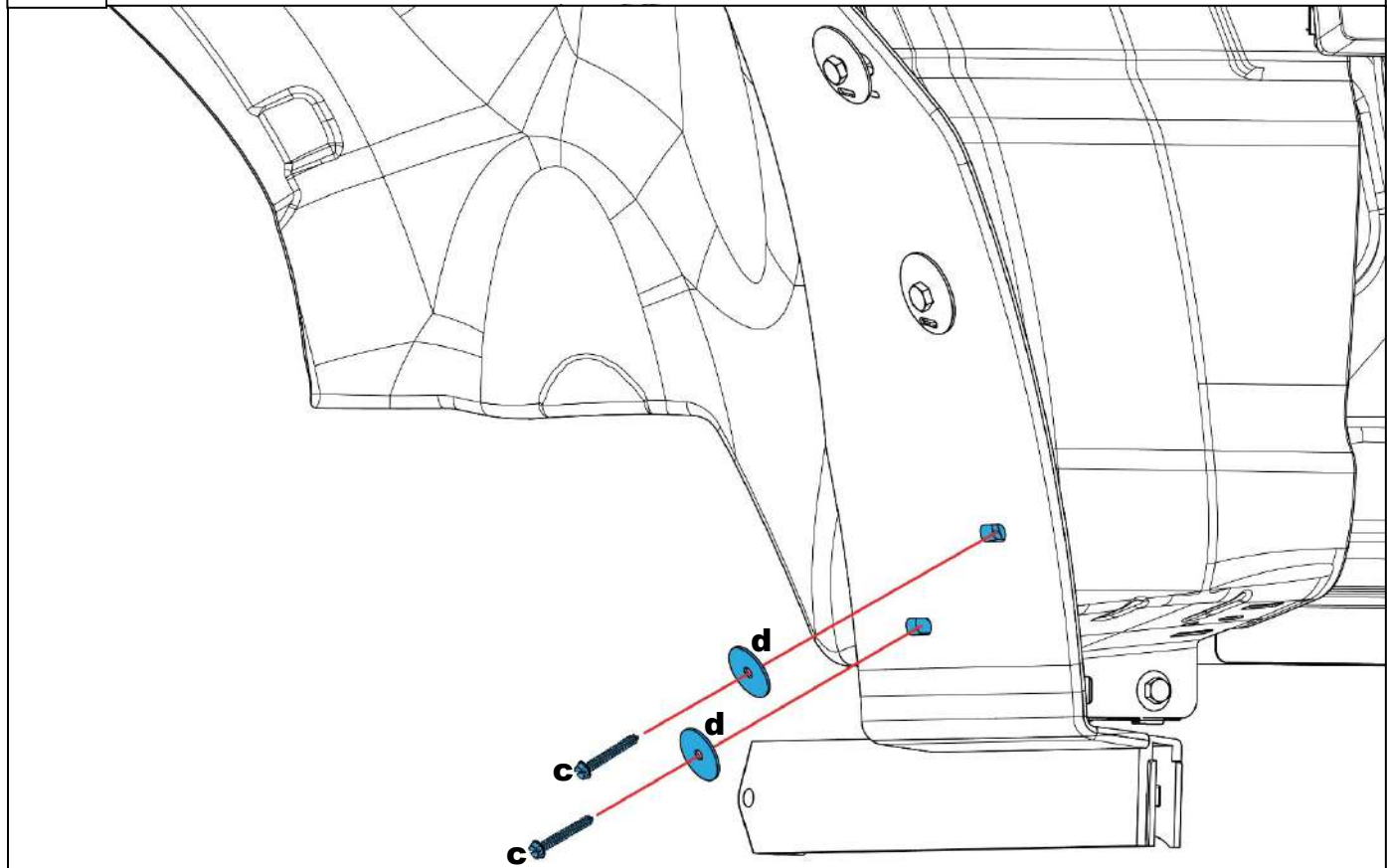
2-1 Attach bracket as shown to the pinch weld on the inner part of the fender.



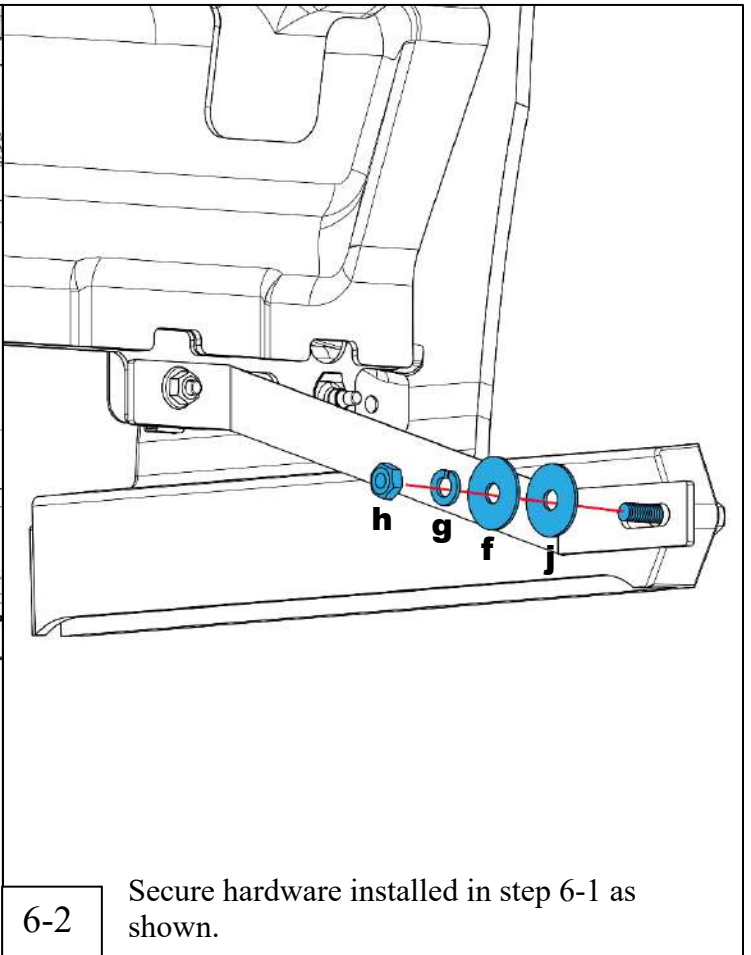
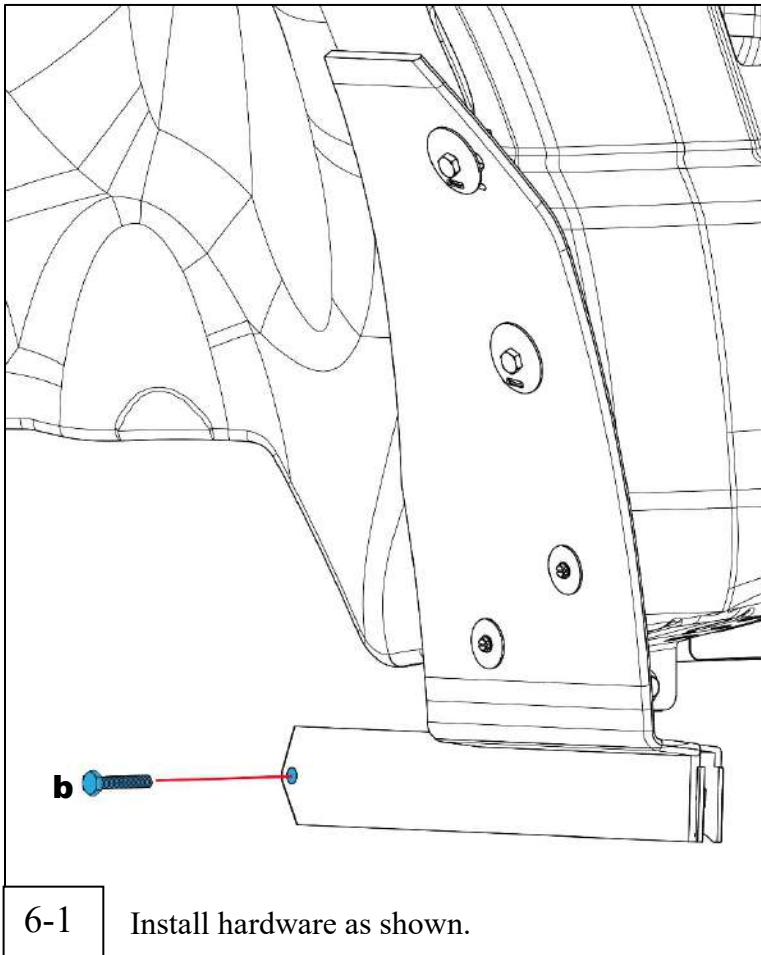
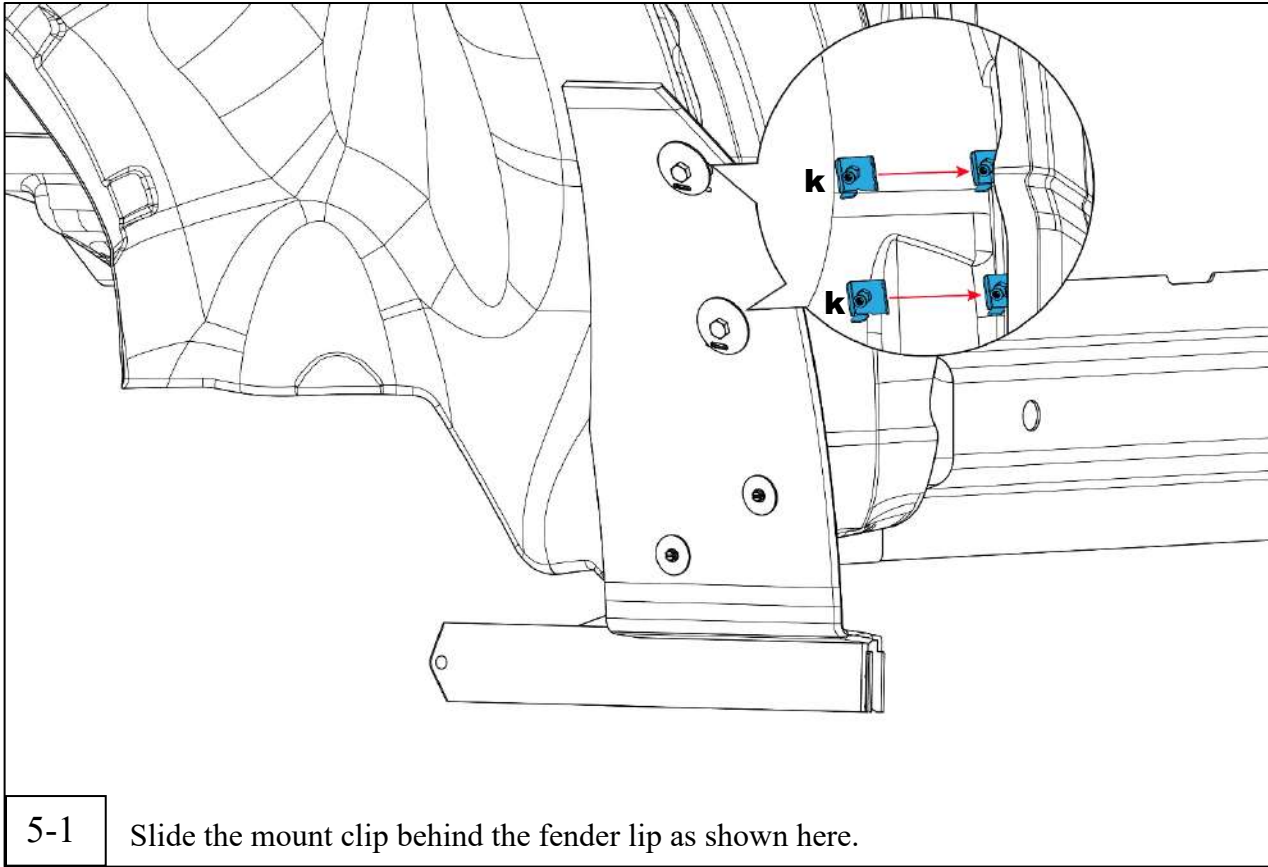
2-2 Secure bracket to factory bolt as shown.

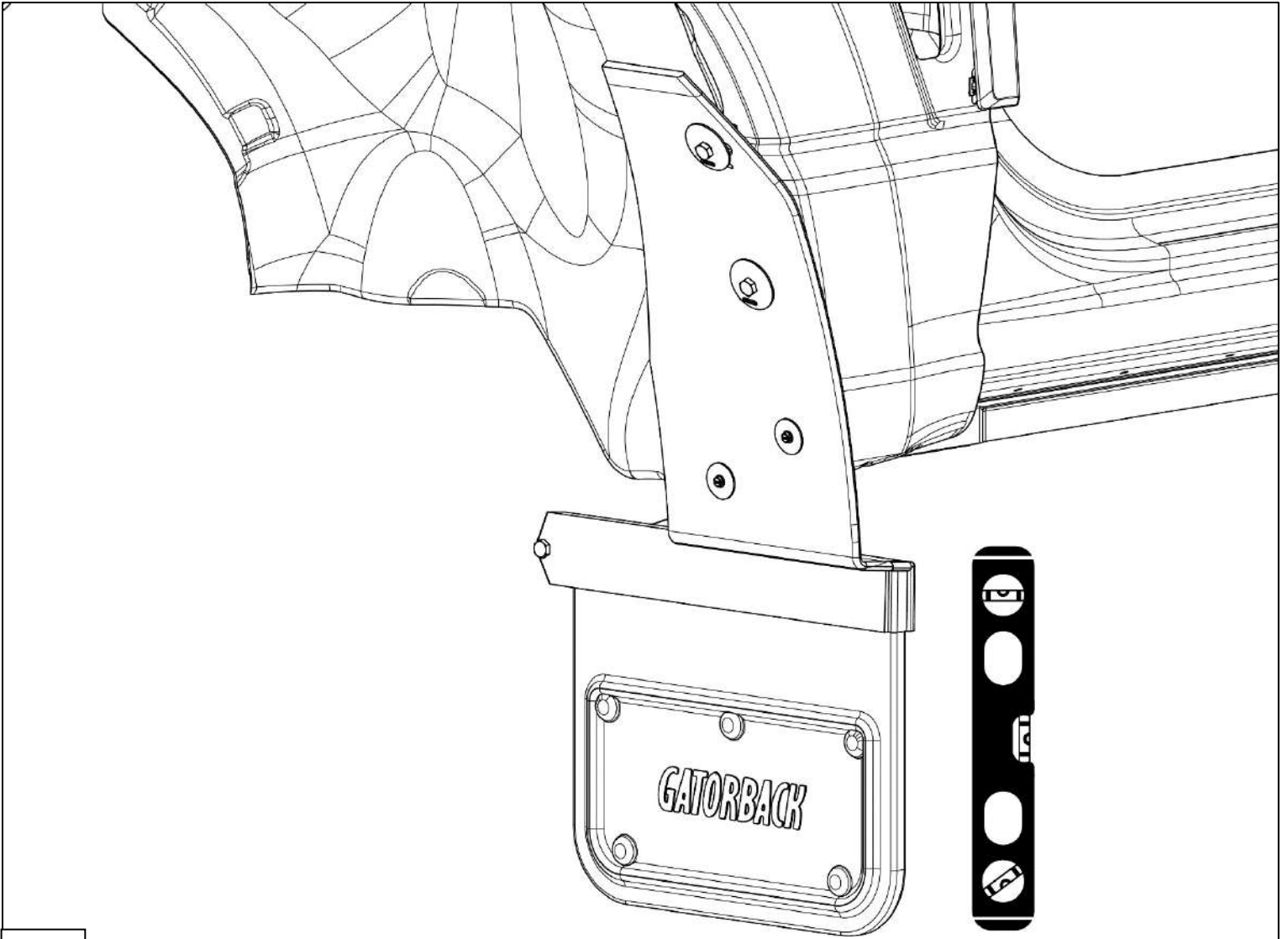


3-1 Loosely install mount clips to top 2 mud flap holes. Do not install on the fender lip at this time.



4-1 Install these two mud flap holes to the factory holes as shown.

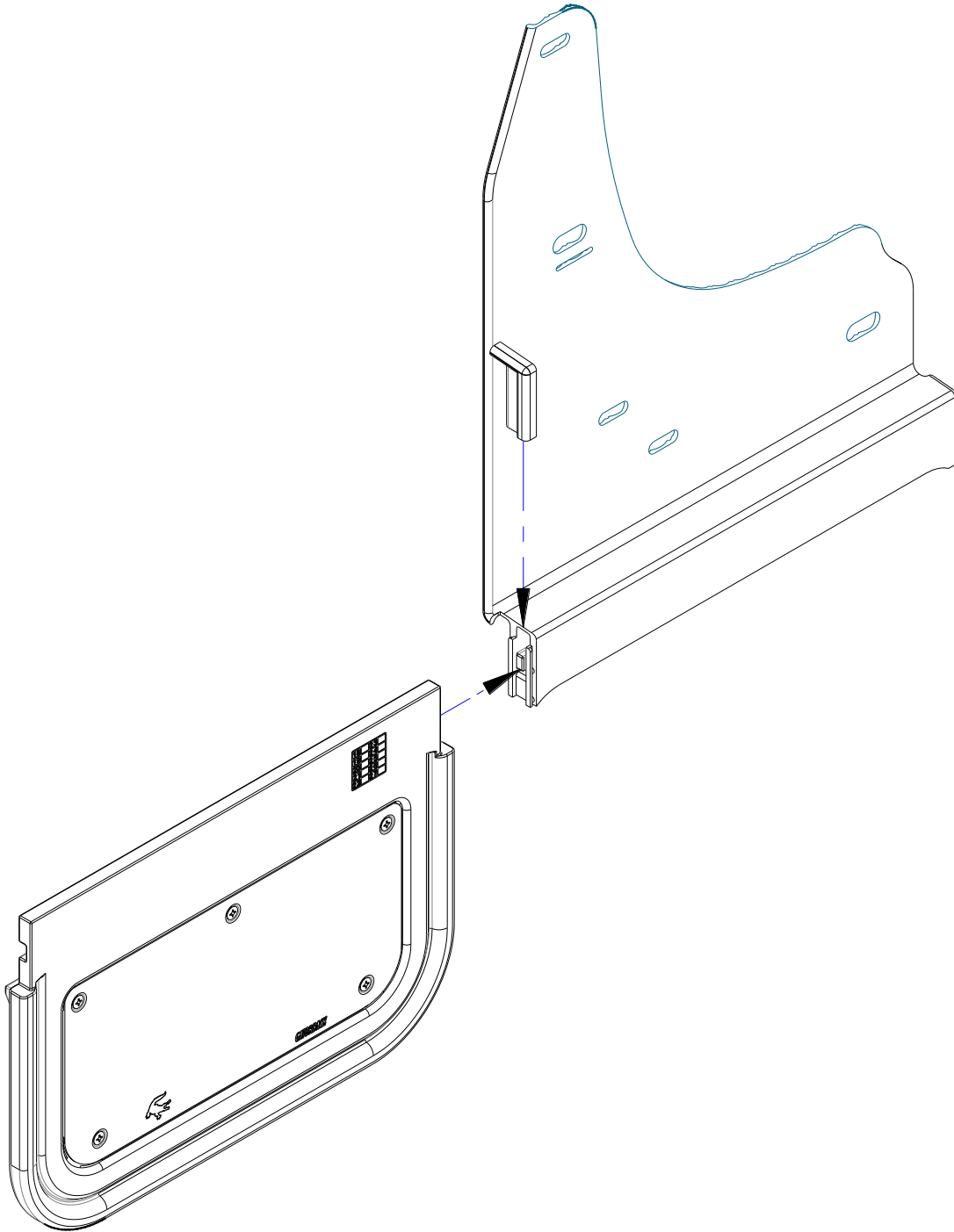




7-1 Use a level and visually determine your mud flap is straight. Gently tighten all fasteners.

ASSEMBLY OF NYLON MUD FLAPS:

1. Remove locking caps from nylon upper mounts and set aside for reinstallation.
2. Remove and discard the plastic strip inside the track at the bottom of the nylon upper mount. (See Diagram #1).
3. Slide rubber guide into track of nylon upper mount.
4. Reinstall locking cap(s) on bottom of nylon upper mount. Note: To fully lock this cap into place, you should hear two clicks. When the cap is fully locked, it will be even with the offset part of the upper mount. (See Diagram #1).
5. Repeat Procedure for second mud flap.



Please check out our YouTube channel to see an install video for this application.





Gatorback Mud Flaps by Truck Hardware Ltd.

LIMITED WARRANTY

All Ford part numbers provided by Truck Hardware Ltd. are warranted to be free from defects in materials or workmanship on products properly installed per the installation instructions provided with the product. This warranty covers repair or replacement of any defective product at no charge during the applicable warranty period listed below. Labor for replacement or service of defective product is not paid or reimbursed by Truck Hardware Ltd.

WARRANTY PERIOD		
	USA	Outside USA
Product which appears on New Vehicle Monroney Label (window sticker)	Coverage which matches new vehicle warranty---Ford - 3 years or 36,000 miles whichever comes first; Lincoln 4 years or 50,000 miles whichever comes first	Coverage which matches new vehicle warranty ---Ford - 3 years or 60,000 kilometers whichever comes first; Lincoln 4 years or 80,000 km whichever comes first
Part purchased and installed during or after the original vehicle warranty	Whichever of the following options provides the greater benefit to the customer: 1) 2 years / unlimited miles or 2) The remainder of the new vehicle warranty	Whichever of the following options provides the greater benefit to the customer: 1) 2 years / unlimited kilometers or 2) The remainder of the new vehicle warranty

This limited warranty does not cover any damage, defect or malfunction caused by misuse, abuse, accident, improper installation, modification or improper or lack of maintenance. Incidental and consequential damages are not recoverable under this warranty. This warranty offers you specific legal rights. You may have additional or other rights as which vary from state to state or province to province.

If you experience a warranty issue with this product please visit your Ford dealer. If the repair is covered by the warranty above and completed by the dealership, labor is also covered by Ford -- Ford Warranty and Policy – Section 3.

Please note that Truck Hardware Ltd. has replacement component parts available to assist consumers and dealers to resolve warranty and non-warranty issues as quickly as possible.

Note to dealer:

Ford dealers should contact Truck Hardware Ltd. by phone at 1-800-661-8208 and ask to speak to the warranty administrator or by email to: info@truckhardware.ca.



GATORBACK MUDFLAPS

23-C Ford F-250/F-350, Nylon Offset Mud Flap Set, Single Rear Wheel Mounting Diagram & Instructions GCN412R

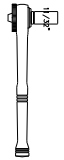
IMPORTANT:

The manufacturer is not responsible for negligent use of vehicle with mud flaps installed, including over-tightening of screws and bolts causing damage to vehicle or mud flaps.

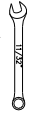
Before you install your Mud Flap Set, see the diagram and parts list for all necessary parts.

All hardware should be loosely installed until all mounting points have been installed and flap has been levelled. It is suggested that final tightening of hardware be done with hand tools to avoid overtightening.

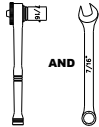
TOOLS REQUIRED:



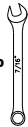
OR



10mm open or
socket wrench



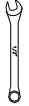
AND



7/16" open and
socket wrench



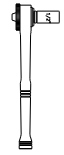
OR



5/16" open or
socket wrench



Push Pin
Removal Tool



OR

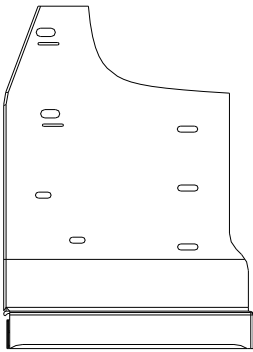


1/4" open or
socket wrench

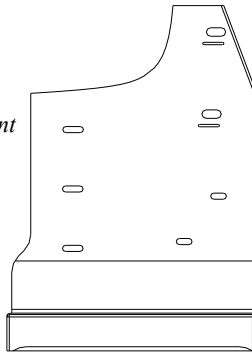


FLAPS AND BRACKETS

(1) Upper Mount
Front, DS
Part #771079



(1) Upper Mount
Front, PS
Part #771080



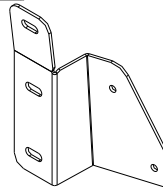
(1) Threaded Bracket
Driver Side
Part #770745



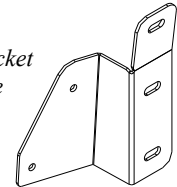
(1) Threaded Bracket
Passenger Side
Part #770746



(1) Mount Bracket
Driver Side
Part #770743

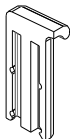


(1) Mount Bracket
Passenger Side
Part #770744

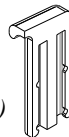


Please note: There will be a plastic piece in the upper mount channel. Please remove and discard.

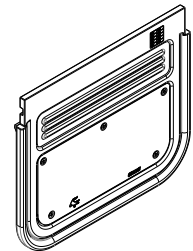
(1) Nylon Cap
Driver Side
Part #080642
(Assembled on Upper Mount)



(1) Nylon Cap
Passenger Side
Part #080643
(Assembled on Upper Mount)



(2) Rubber
Universal
12" x 10-3/4"

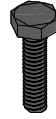


PARTS BAG # 771084

a) (6) Capscrew, SS, Blk Ox.
 $\frac{1}{4}$ " - 20UNC x $\frac{3}{4}$ "
 Part # 014070



b) (10) Capscrew, SS Blk Ox
 $\frac{1}{4}$ "-20UNC x 1"
 Part #014073



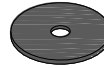
c) (4) Sht Mtl Screw
 8-15 x 1" SS Blk Ox
 Part #016057



d) (18) Washer, Flat
 0.281" x 1" SS Blk Ox.
 Part # 018069



e) (4) Washer, Flat
 0.203" x 1" SS Blk Ox
 Part # 018070



f) (4) Washer, Slotted
 0.281" x 1.5" Blk Ox.
 Part #018084



g) (8) Washer, Lock
 $\frac{1}{4}$ " Helicoil, SS
 Part # 024000



h) (8) Hex Nut
 $\frac{1}{4}$ "-20, SS
 Part # 025000



i) (2) Flange Nut
 $\frac{1}{4}$ "-20, Serrated
 Part #025034



j) (2) Spring Nut
 $\frac{1}{4}$ "-20 UNC, 27/32", SS
 Part #028011



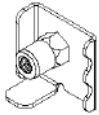
k) (10) Washer, Nylon
 0.318" x 1"
 Part #054061



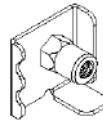
l) (2) Washer, Nylon
 0.265" x 0.625" Blk
 Part # 054071



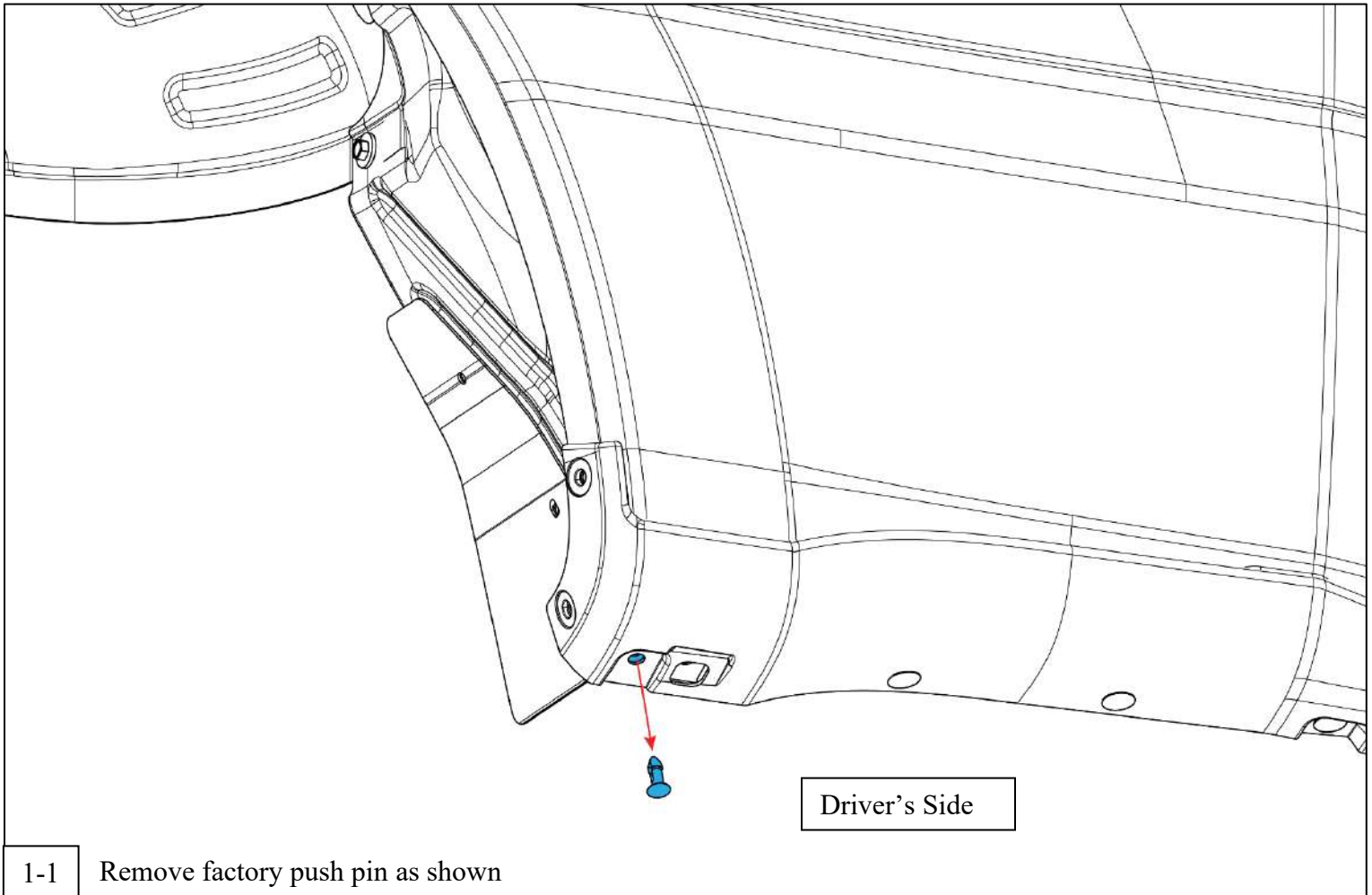
m) (2) Mount Clip
 DS
 Part # 769308



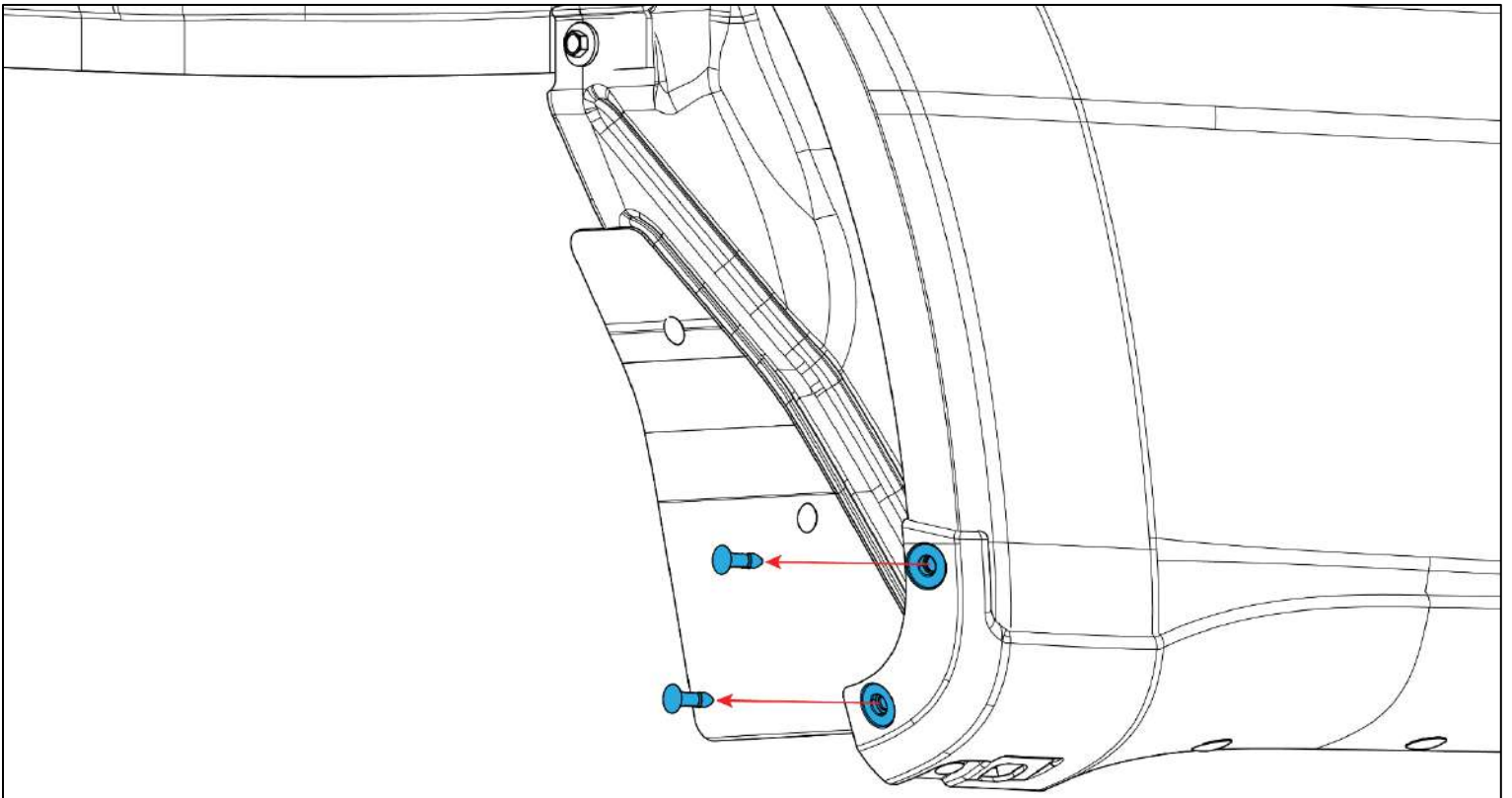
n) (2) Mount Clip
 PS
 Part #769309



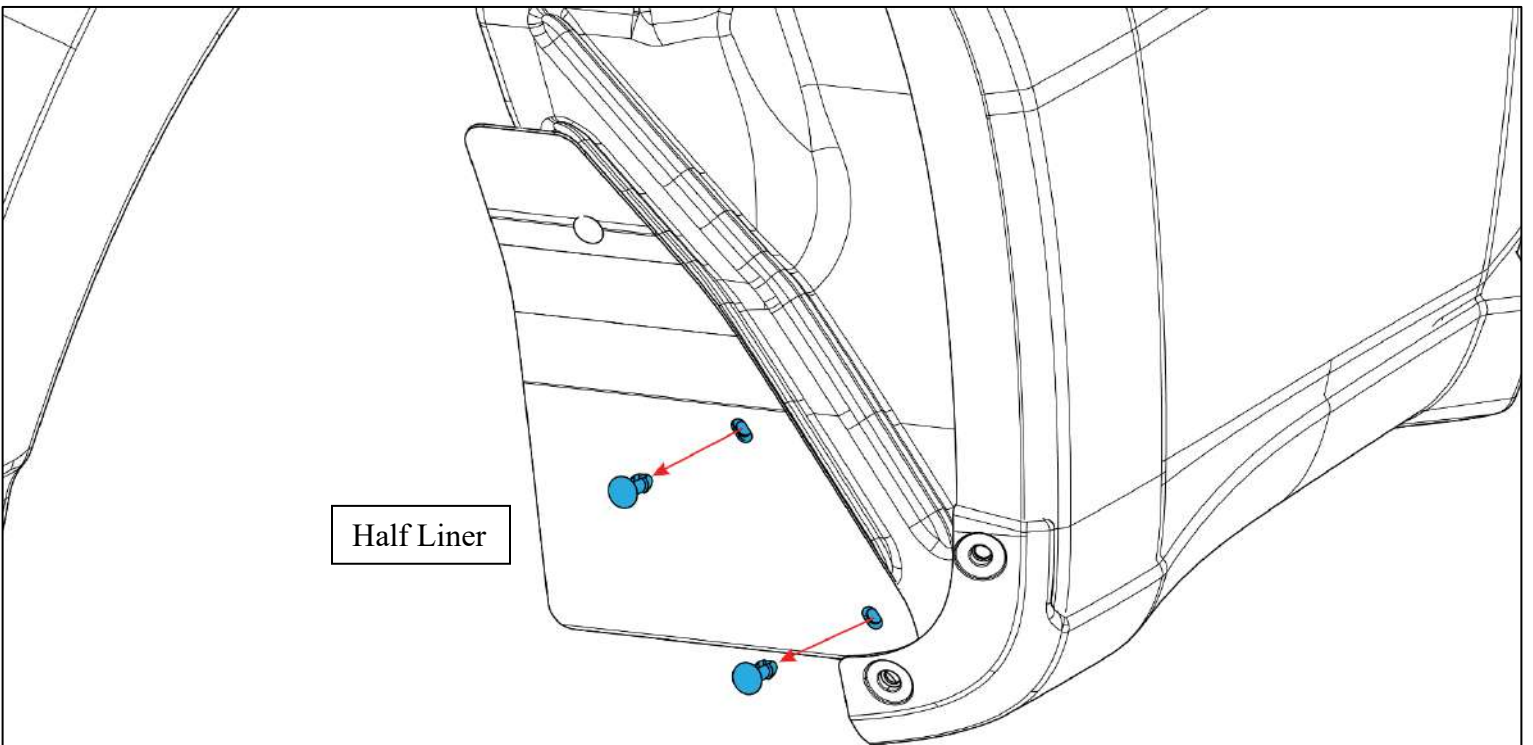
Installation



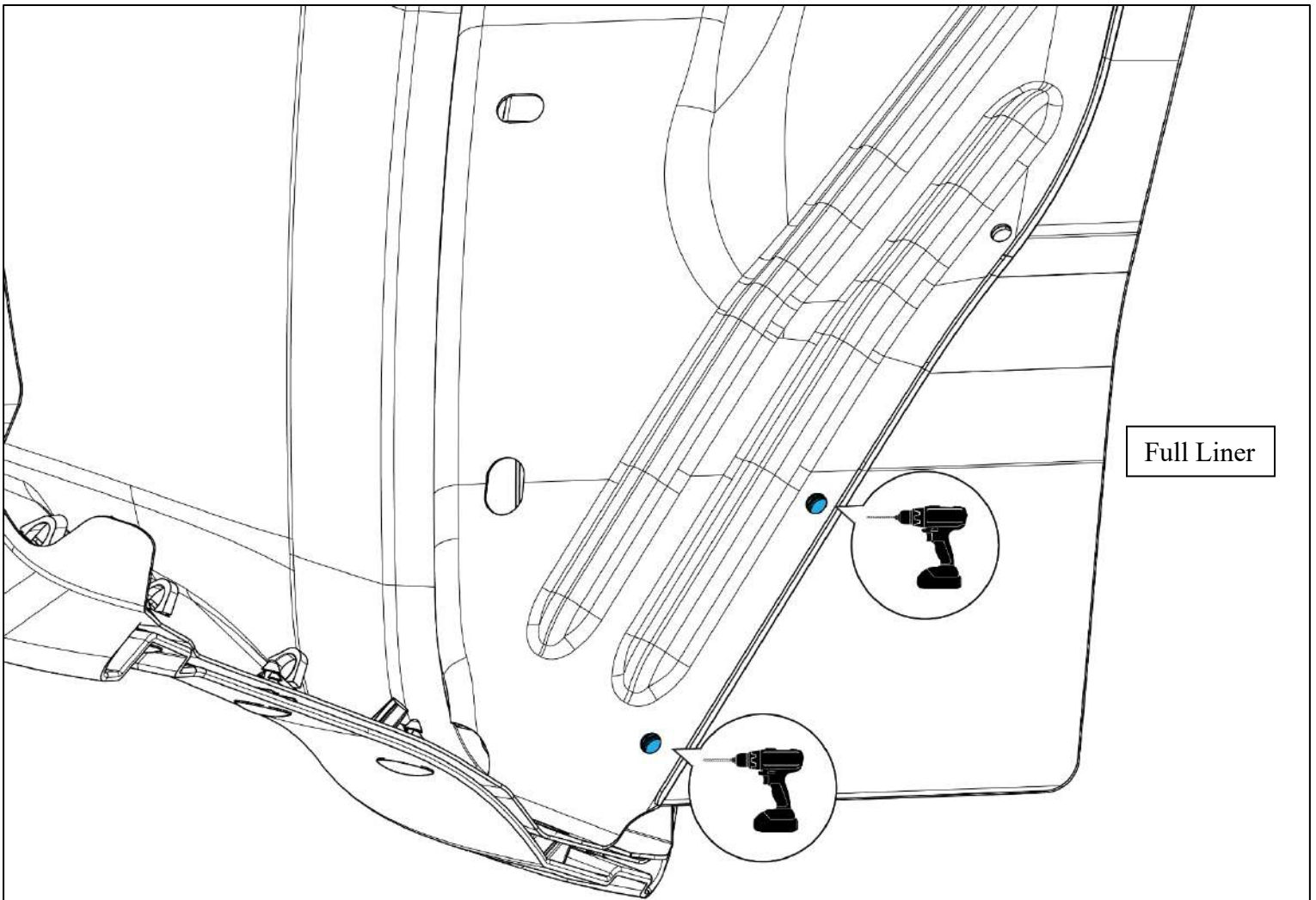
1-1 Remove factory push pin as shown



1-2 Remove factory push pins from fender as shown



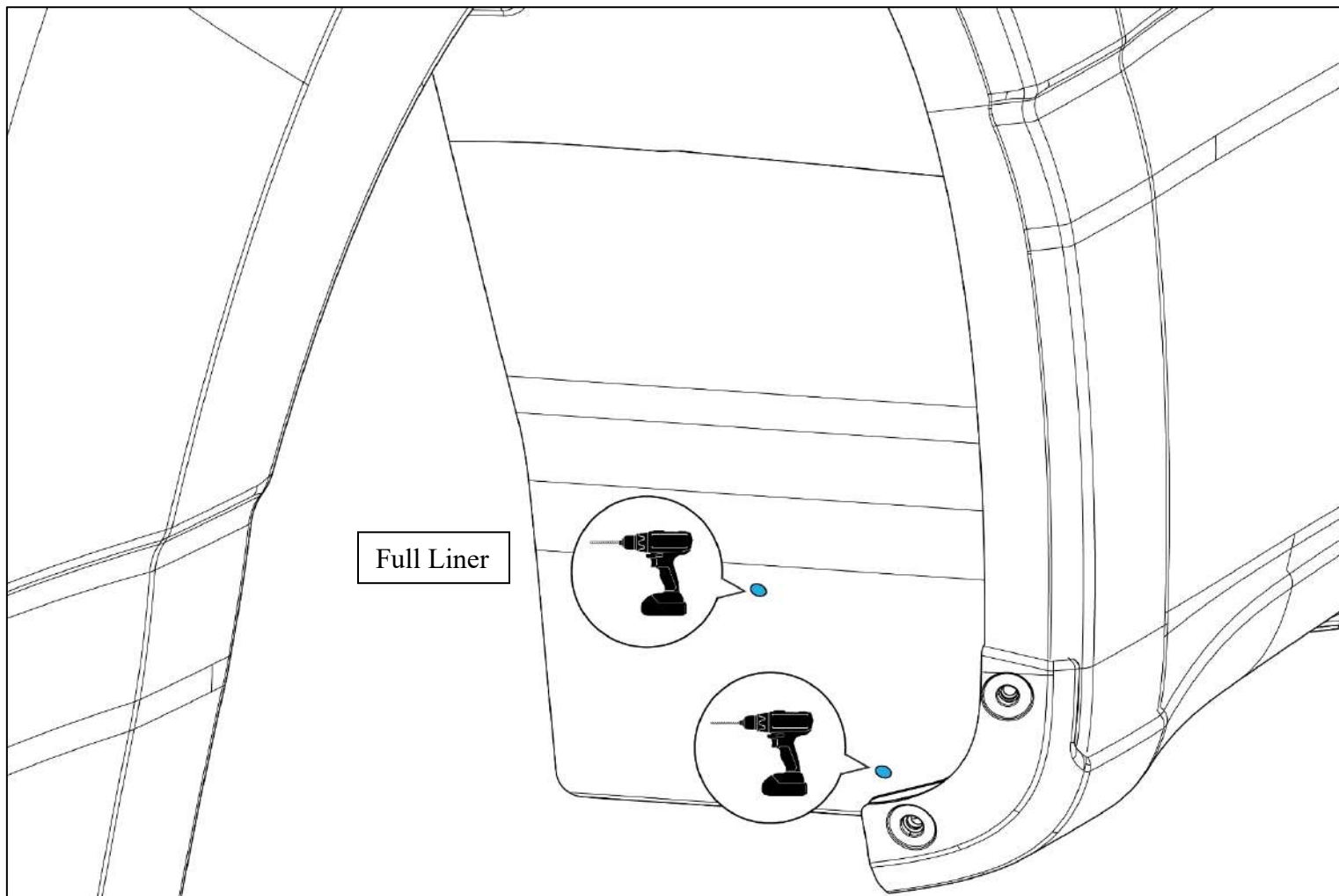
2a-1 If your vehicle has a factory **half liner**, remove the bottom 2 factory push pins



Full Liner

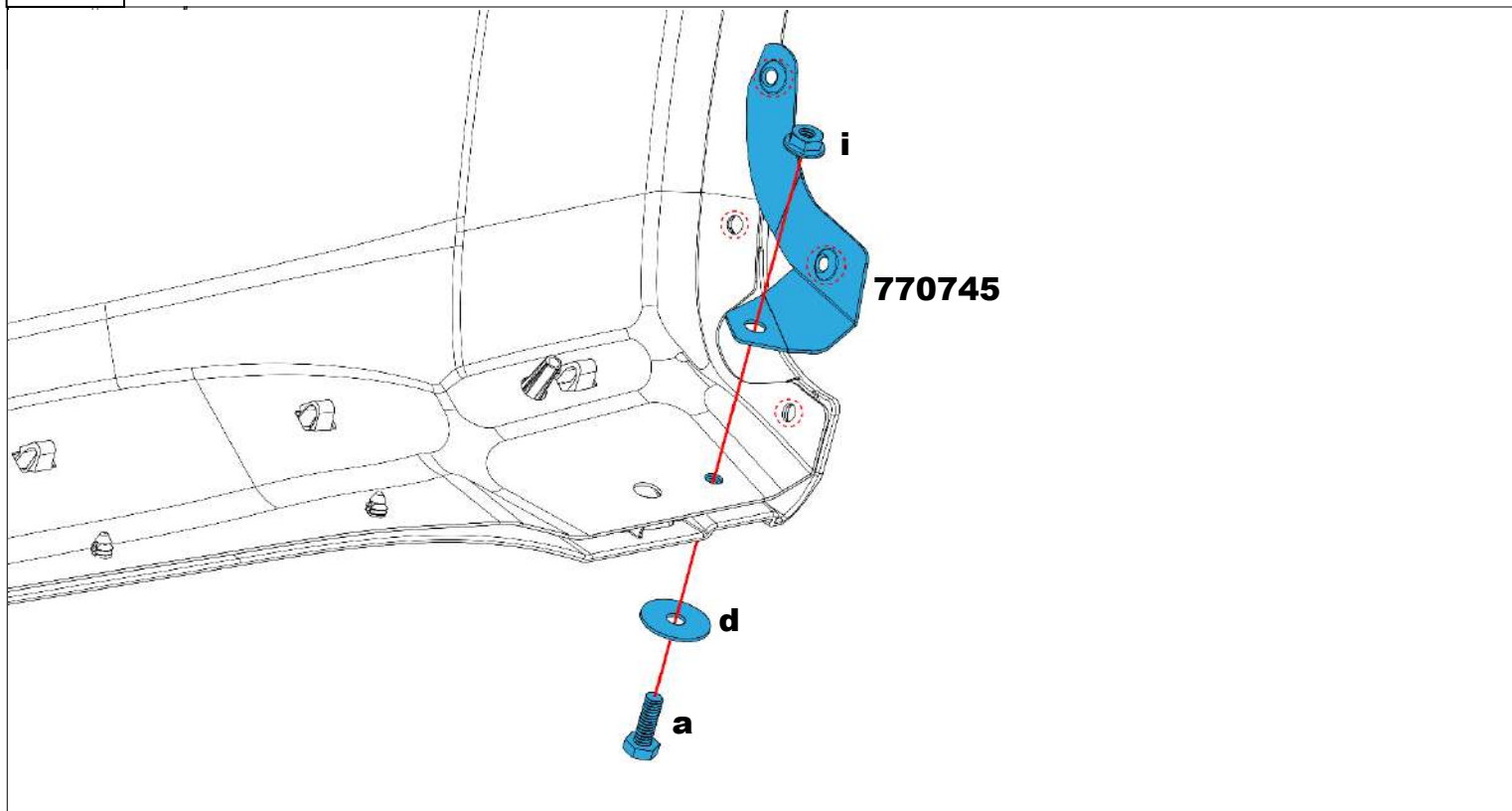
2b-1

If your vehicle has a factory **full liner**, drill pilot holes through the liner using the factory holes in the metal behind the liner as a guide.



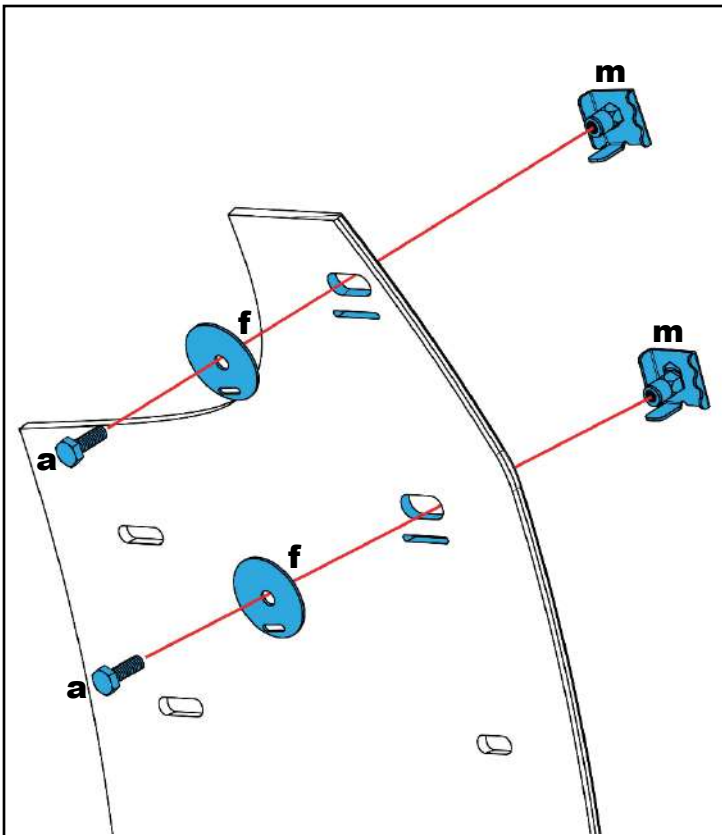
2b-2

From the front of the liner, enlarge the pilot holes drilled in 2b-1 to a minimum of 9/32". Use caution to not allow the drill bit to come into contact with parts of the vehicle hidden behind the liner.



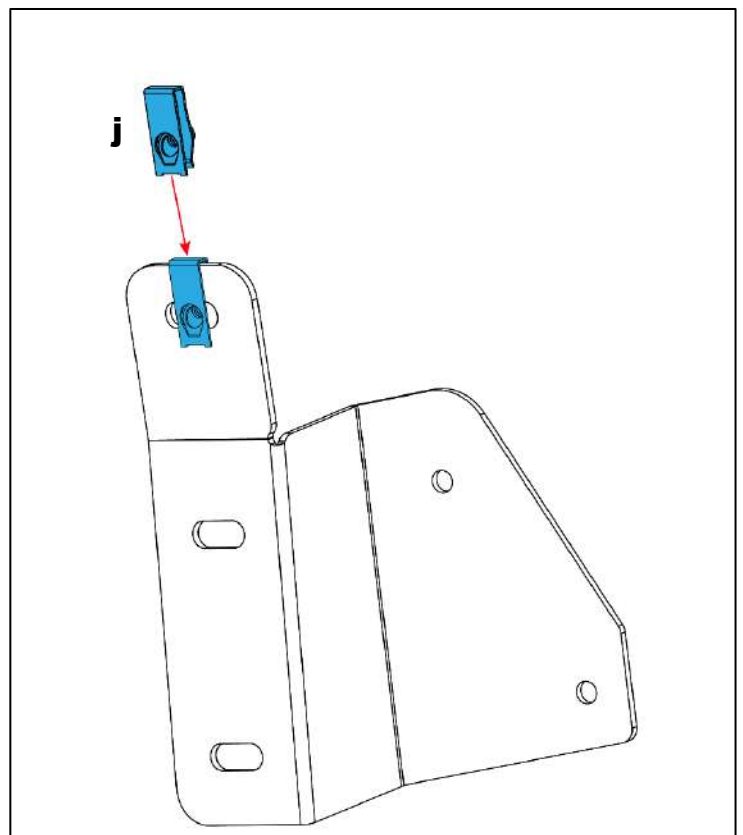
3-1

Install bracket and hardware as shown on factory hole where push pin was removed in step 1-1, ensuring the threaded holes in the bracket line up with the factory holes in the fender lip



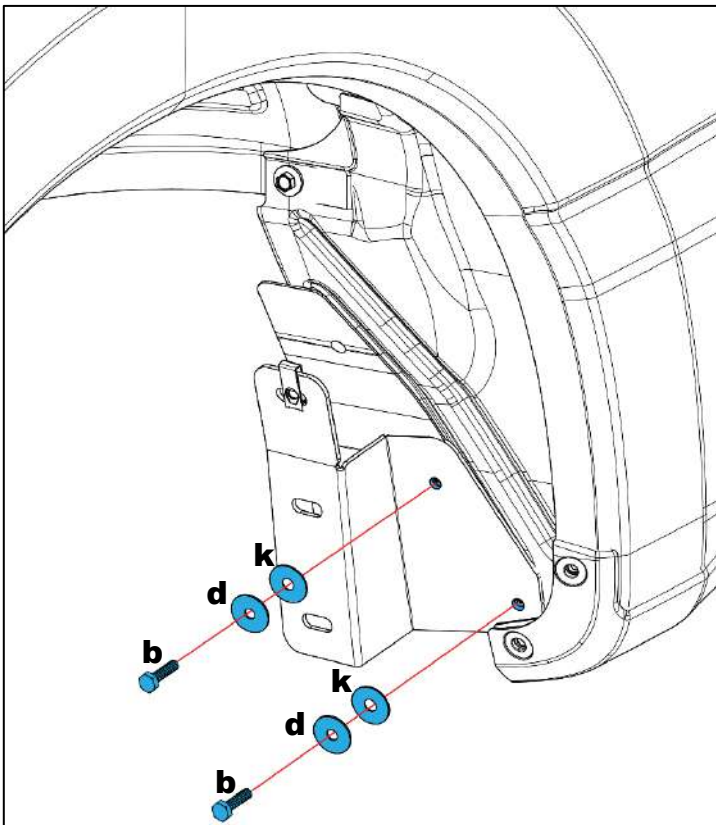
Loosely install mount clip to mud flap holes as shown. Do not install on the fender lip at this time.

4-1



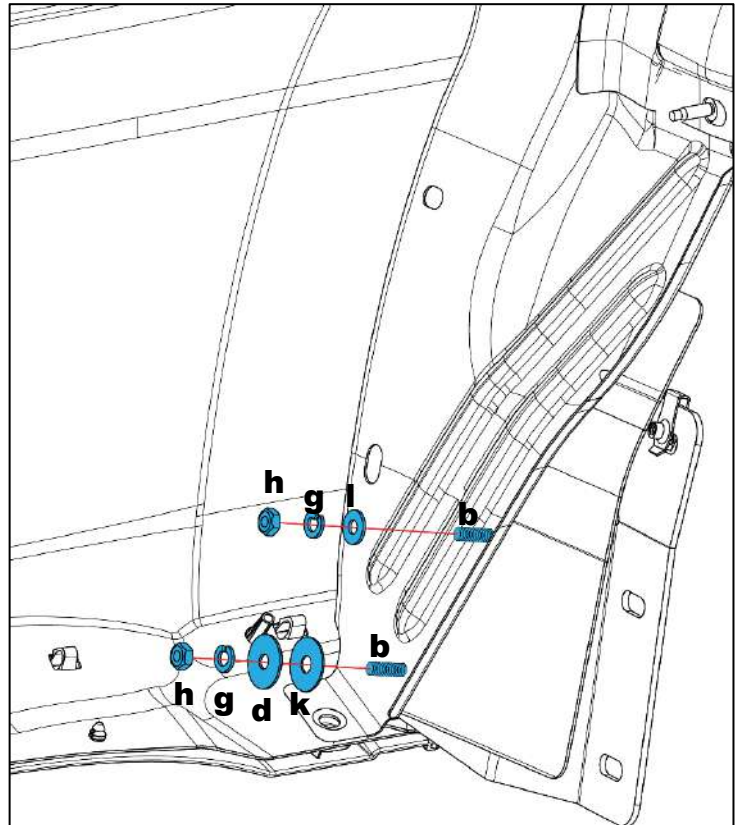
Install spring clip on bracket

5-1



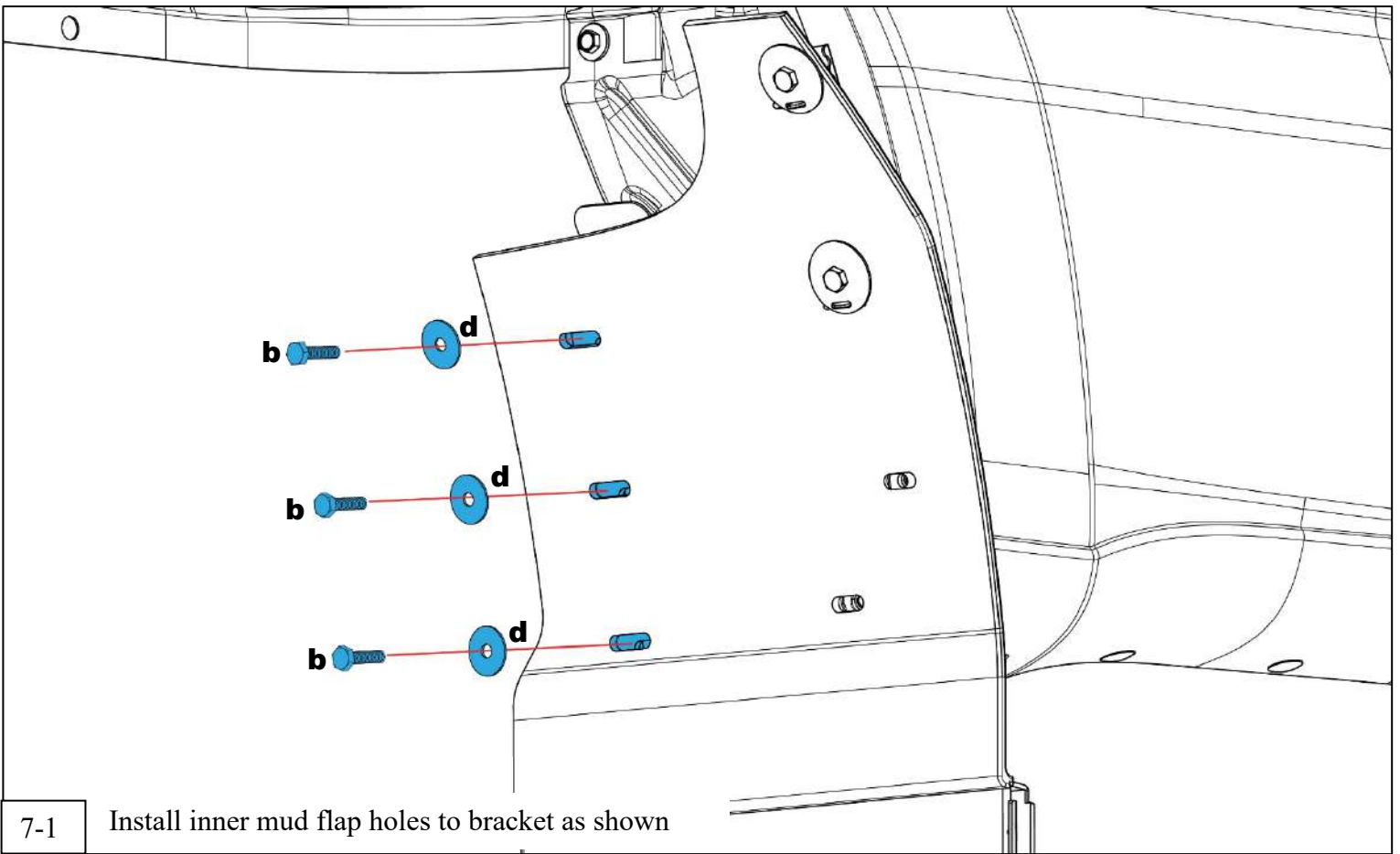
Install bracket as shown

6-1



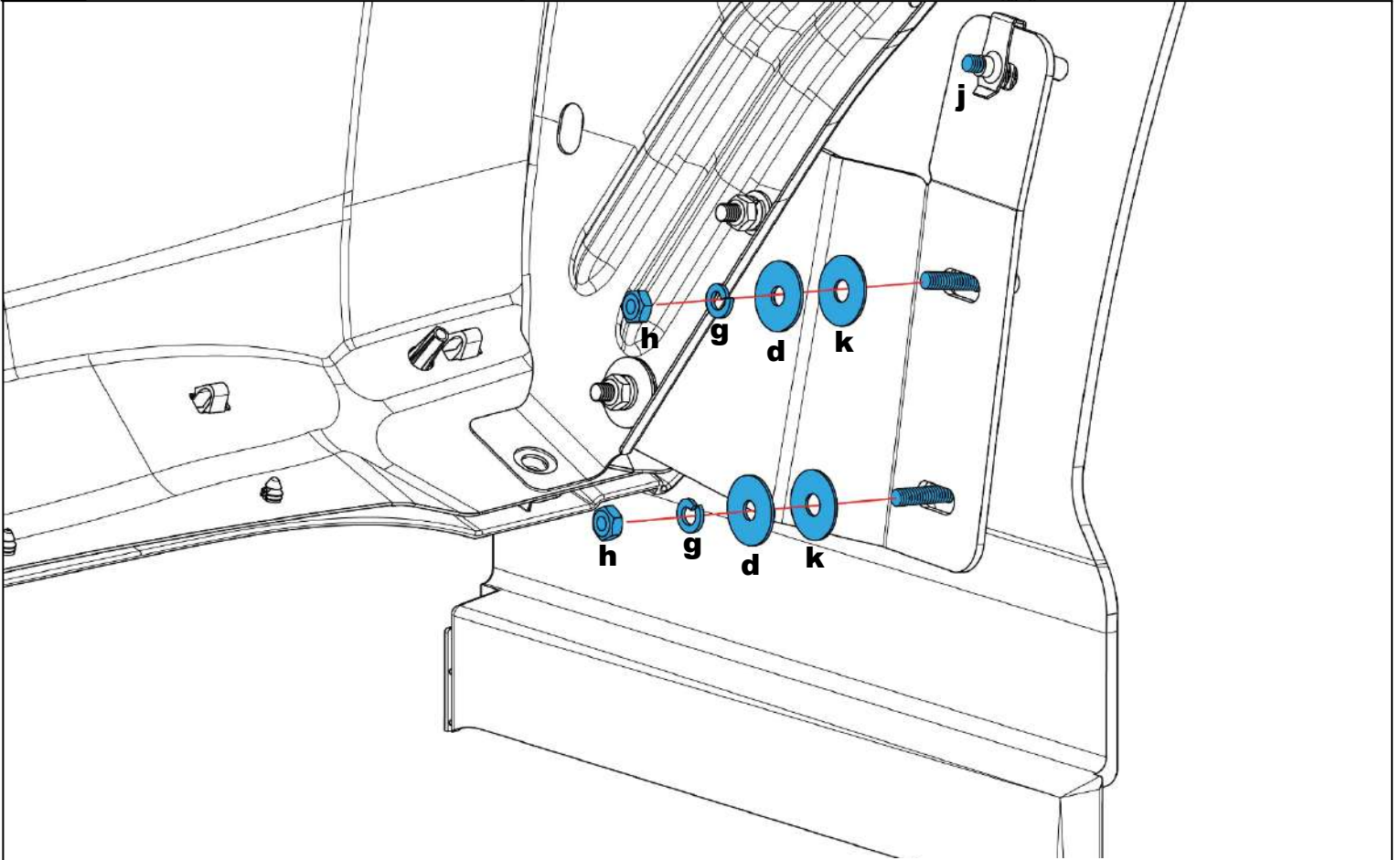
Secure bracket installed in 6-1 as shown

6-2



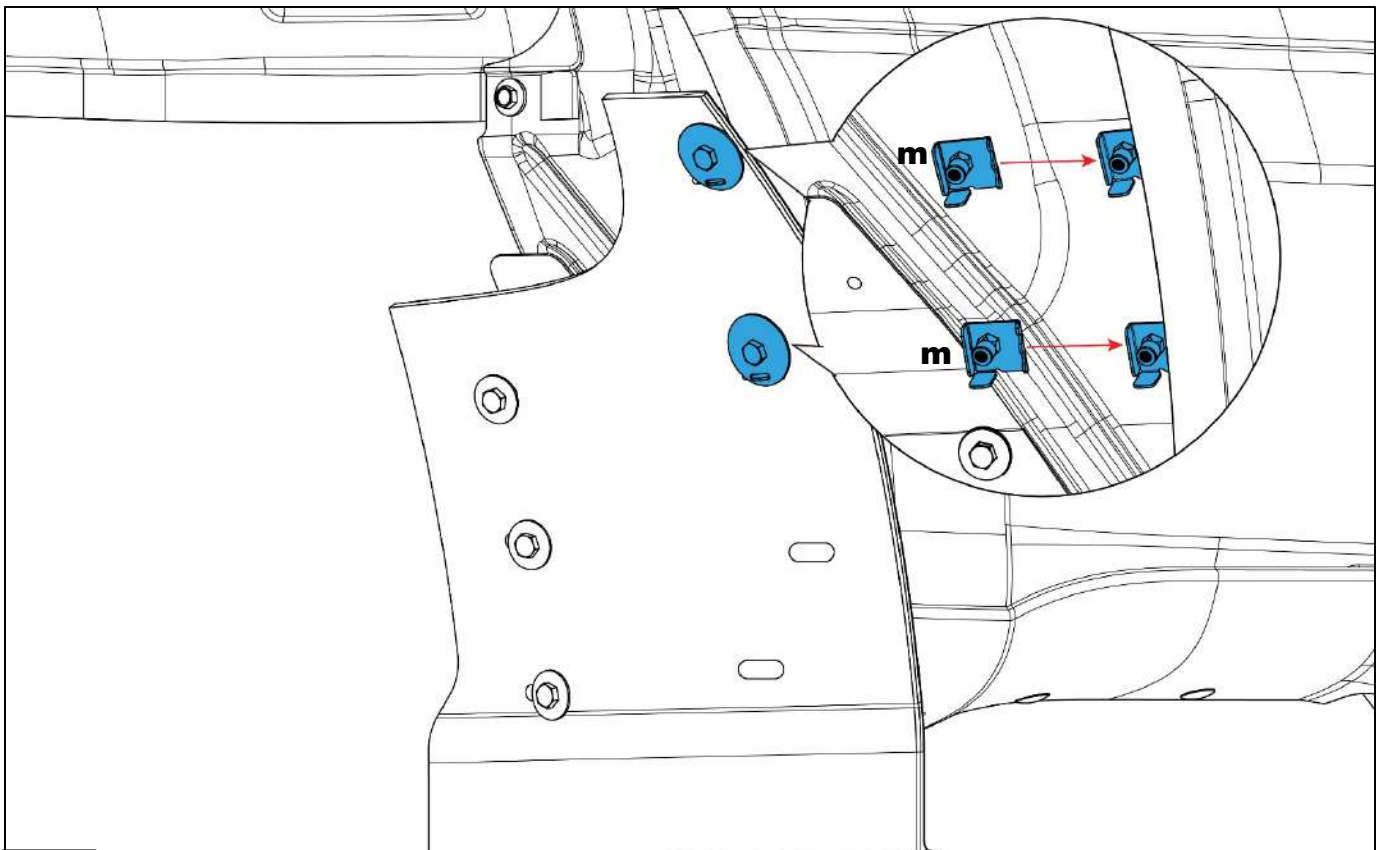
7-1

Install inner mud flap holes to bracket as shown

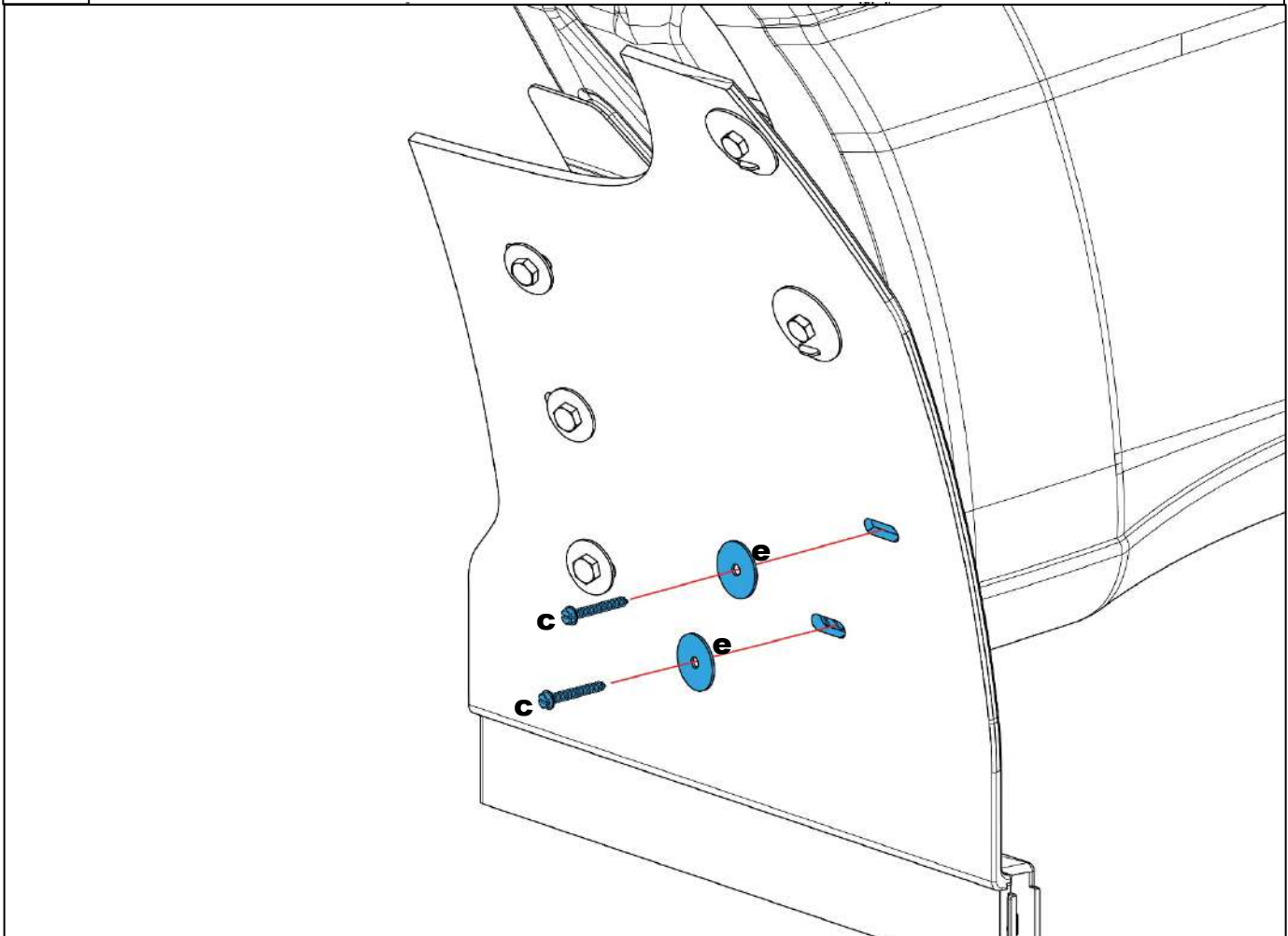


7-2

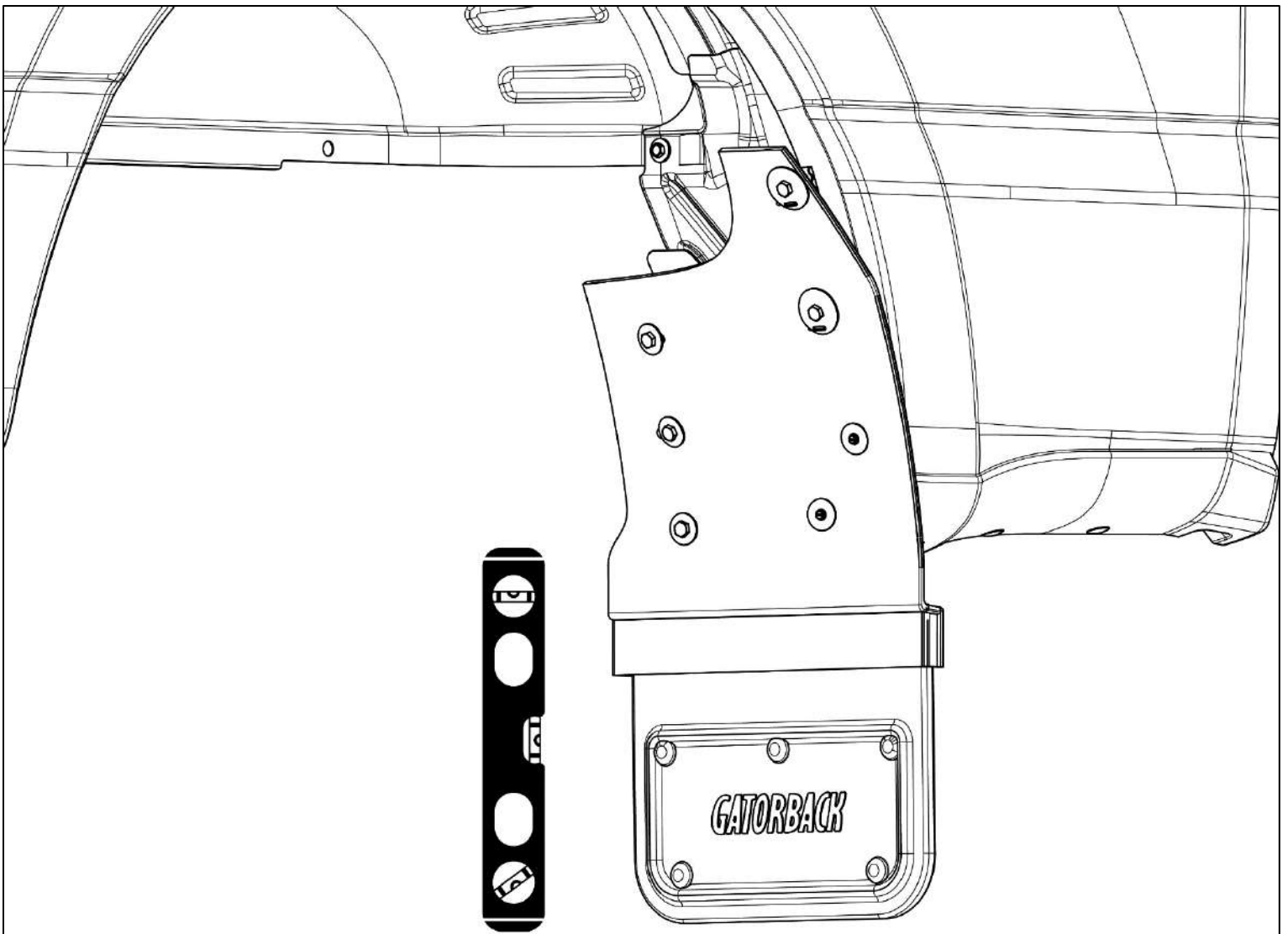
Secure hardware on bottom 2 holes as shown. Note: Top hole is secured on the spring nut installed in step 5-1



8-1 Slide the mount clip behind the fender lip as shown.



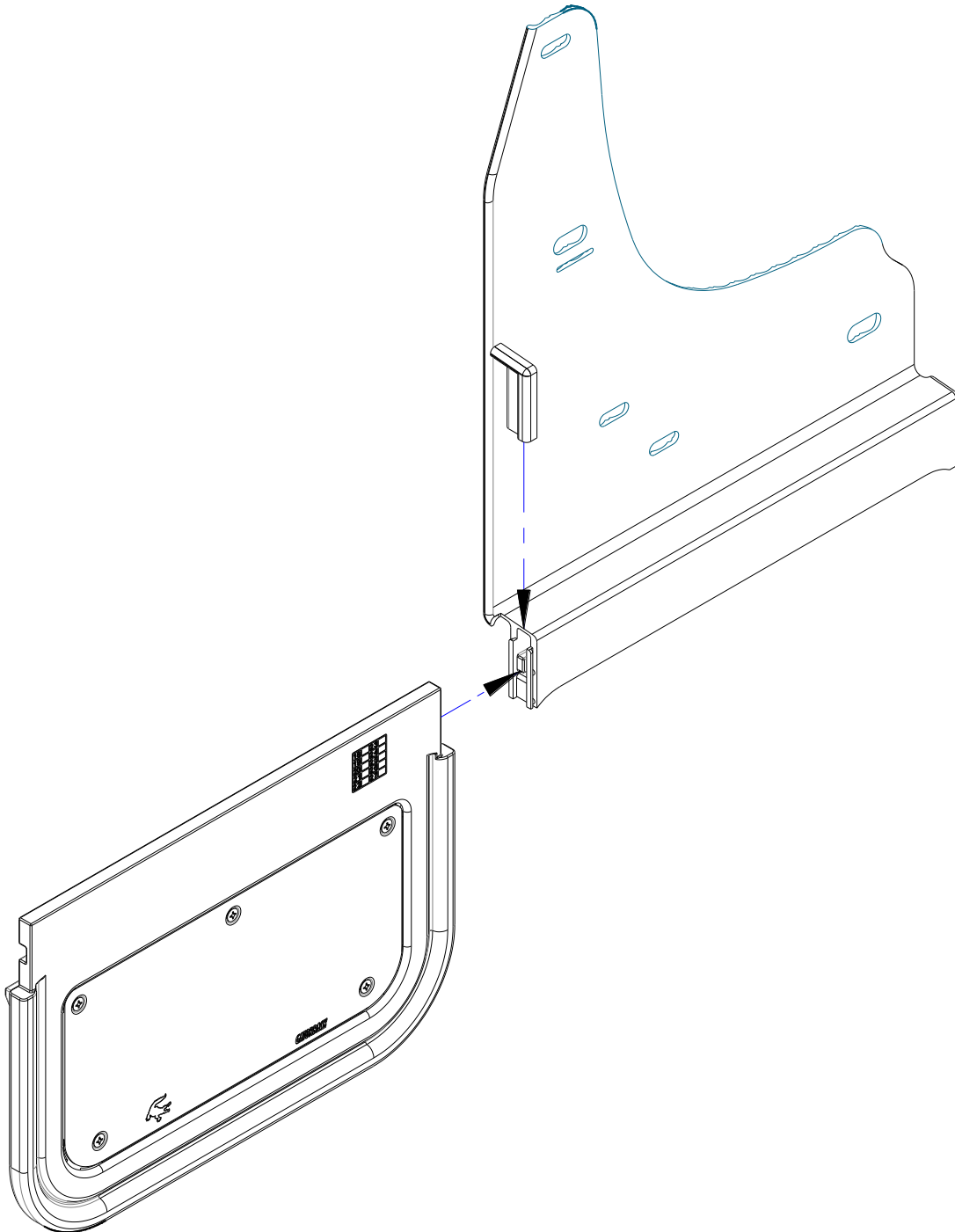
9-1 Install mud flap holes into threaded bracket behind factory holes as shown.



10-1 Use a level and visually determine your mud flap is straight. Gently tighten all fasteners.

ASSEMBLY OF NYLON MUD FLAPS:

1. Remove locking caps from nylon upper mounts and set aside for reinstallation.
2. Remove and discard the plastic strip inside the track at the bottom of the nylon upper mount. (See Diagram #1).
3. Slide rubber guide into track of nylon upper mount.
4. Reinstall locking cap(s) on bottom of nylon upper mount. Note: To fully lock this cap into place, you should hear two clicks. When the cap is fully locked, it will be even with the offset part of the upper mount. (See Diagram #1).
5. Repeat Procedure for second mud flap.



Please check out our YouTube channel to see an install video for this application.





Gatorback Mud Flaps by Truck Hardware Ltd.

LIMITED WARRANTY

All Ford part numbers provided by Truck Hardware Ltd. are warranted to be free from defects in materials or workmanship on products properly installed per the installation instructions provided with the product. This warranty covers repair or replacement of any defective product at no charge during the applicable warranty period listed below. Labor for replacement or service of defective product is not paid or reimbursed by Truck Hardware Ltd.

WARRANTY PERIOD		
	USA	Outside USA
Product which appears on New Vehicle Monroney Label (window sticker)	Coverage which matches new vehicle warranty---Ford - 3 years or 36,000 miles whichever comes first; Lincoln 4 years or 50,000 miles whichever comes first	Coverage which matches new vehicle warranty ---Ford - 3 years or 60,000 kilometers whichever comes first; Lincoln 4 years or 80,000 km whichever comes first
Part purchased and installed during or after the original vehicle warranty	Whichever of the following options provides the greater benefit to the customer: 1) 2 years / unlimited miles or 2) The remainder of the new vehicle warranty	Whichever of the following options provides the greater benefit to the customer: 1) 2 years / unlimited kilometers or 2) The remainder of the new vehicle warranty

This limited warranty does not cover any damage, defect or malfunction caused by misuse, abuse, accident, improper installation, modification or improper or lack of maintenance. Incidental and consequential damages are not recoverable under this warranty. This warranty offers you specific legal rights. You may have additional or other rights as which vary from state to state or province to province.

If you experience a warranty issue with this product please visit your Ford dealer. If the repair is covered by the warranty above and completed by the dealership, labor is also covered by Ford -- Ford Warranty and Policy – Section 3.

Please note that Truck Hardware Ltd. has replacement component parts available to assist consumers and dealers to resolve warranty and non-warranty issues as quickly as possible.

Note to dealer:

Ford dealers should contact Truck Hardware Ltd. by phone at 1-800-661-8208 and ask to speak to the warranty administrator or by email to: info@truckhardware.ca.