

PRECISION GRILL INSERTS INSTALLATION INSTRUCTIONS

FORD SUPERDUTY (2008 - C) PART #371194 (Summer Kit)

- Before you install your Precision Grill Insert, see the diagrams and parts list for necessary parts.
- Your Precision Grill Insert has been cleaned and the edge trimming applied. It is ready to install as Diagram #1 indicates.
- Thread the thumbscrew onto the "C" Clip, Diagram #2 & 3, just far enough to allow the locknut to fit fully onto the thumbscrew. Back the "C" clip up against the locknut. This will allow you to manipulate the clip easier.
- Position your grill insert using the thumbscrew / clip assembly through the truck grill. Pull the screw assembly out until the clip engages the truck grill, Diagram #2 & 3. Maintain a slight pull on the thumbscrew and turn clockwise, finger tighten until snug.
- You may find it easier to start at one end of the grill. Snug the first clip and work towards the other end. Once all of the clips are in place, snug them finger tight only.
- Precision Grill Inserts are designed to fit your truck. If they do not fit perfectly, they are installed incorrectly.
- If at anytime your engine overheats, remove the insert.

<u>#371212 – PARTS BAG CONTENTS</u>	
(16) Thumbscrew, #8 x 1-1/4"	Part #016001
(16) Locknut, #8	Part #016002
(16) Clip, "C" 1.5"	Part #370021
<u>STAINLESS STEEL PARTS</u>	
(1) Top Grill	Part #371198
(1) LH Center Grill	Part #371199
(1) RH Center Grill	Part #371200
(1) Bottom Grill	Part #371201
(1) LH Side Grill	Part #371202
(1) RH Side Grill	Part #371203

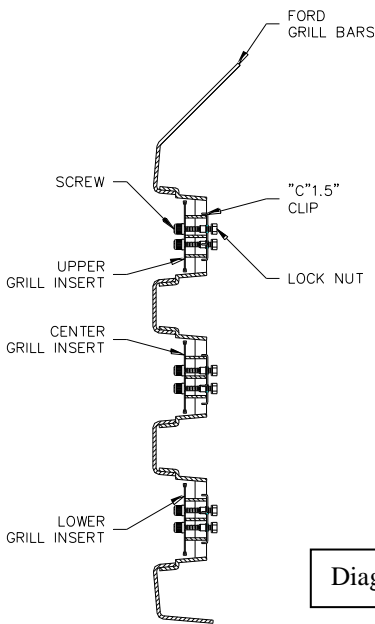
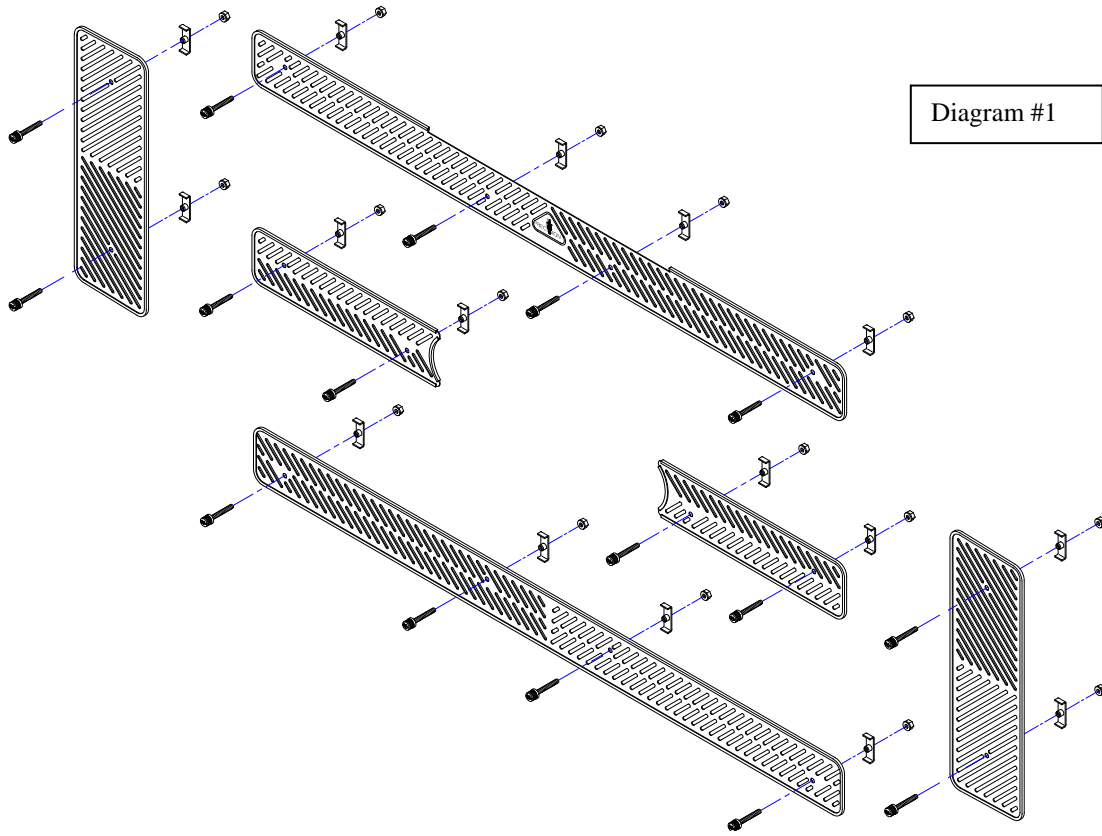
SEE DIAGRAMS ON PAGE 2.

*Ford Superduty **Winter** Grill Insert available from your Dealer - Part No. 371195
Ford Superduty **Bumperscreens** also available from your Dealer!*

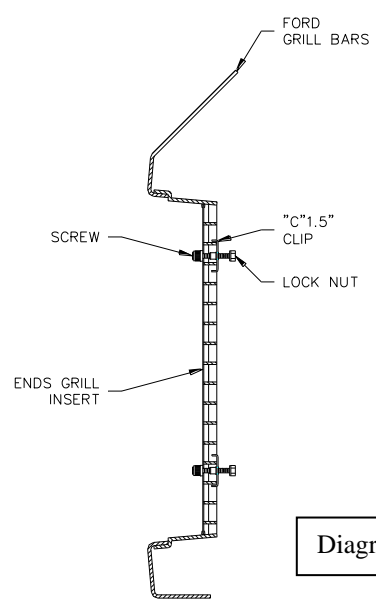
PRECISION DESIGN & MANUFACTURING INC.

PRECISION GRILL INSERTS INSTALLATION INSTRUCTIONS

**FORD SUPERDUTY (2008 - C)
PART #371194 (Summer Kit)**



TYPICAL SIDE CROSS SECTION (MIDDLE)



TYPICAL SIDE CROSS SECTION (ENDS)

PRECISION GRILL INSERTS INSTALLATION INSTRUCTIONS

FORD SUPERDUTY (2008 - C) PART # 371195 (Winter Kit)

- Before you install your Precision Grill Insert, see the diagrams and parts list for necessary parts.
- Your Precision Grill Insert has been cleaned and the edge trimming applied. It is ready to install as Diagram #1 indicates.
- Thread the thumbscrew onto the "C" clip, Diagram #2 & 3, just far enough to allow the locknut to fit fully onto the thumbscrew. Back the "C" clip up against the locknut. This will allow you to manipulate the clip easier.
- Position your grill insert using the thumbscrew / clip assembly through the truck grill. Pull the screw assembly out until the clip engages the truck grill. See Diagram #2 & #3. Maintain a slight pull on the thumbscrew and turn clockwise, finger tighten until snug.
- You may find it easier to start at one end of the grill. Snug the first clip and work towards the other end. Once all of the clips are in place, snug them finger tight only.
- Vent covers can be installed by using the 5/8" thumbscrews in the pre-installed nutserts, Diagram #2. These covers should be removed if outside temperature reaches 0°C or if the vehicle is towing. Remove the complete grill insert if temperature increases. It is your responsibility to monitor the temperature of your vehicle.
- Precision Grill Inserts are designed to fit your truck. If they do not fit perfectly, they are installed incorrectly.
- If at anytime your engine overheats, remove the insert.

<u>#371213 - PARTS BAG CONTENTS</u>			
(16) Screws, #8 x 1-1/4"	Part #016001	(8) Screws, #8 x 5/8"	Part #016007
(16) Locknut, #8	Part #016002	(16) Clip, "C", 1.5"	Part #370021
<u>STAINLESS STEEL PARTS</u>			
(4) Winter Vent Cover, 6.5" x 2"	Part #371416		
(1) Top Grill	Part #371204		
(1) Center Grill, Left	Part #371205		
(1) Center Grill, Right	Part #371206		
(1) Bottom Grill	Part #371207		
(1) Side Grill, Left	Part #371208		
(1) Side Grill, Right	Part #371209		

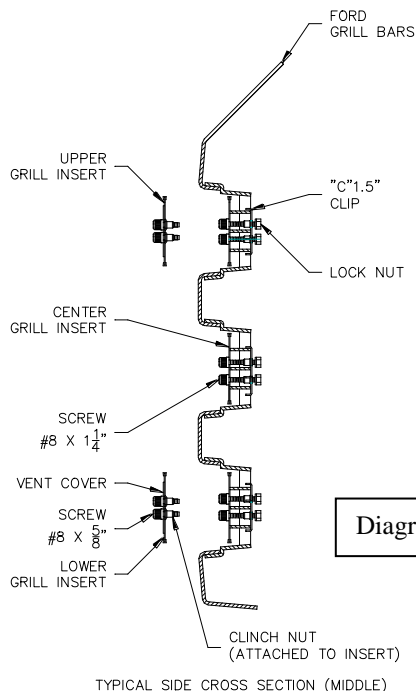
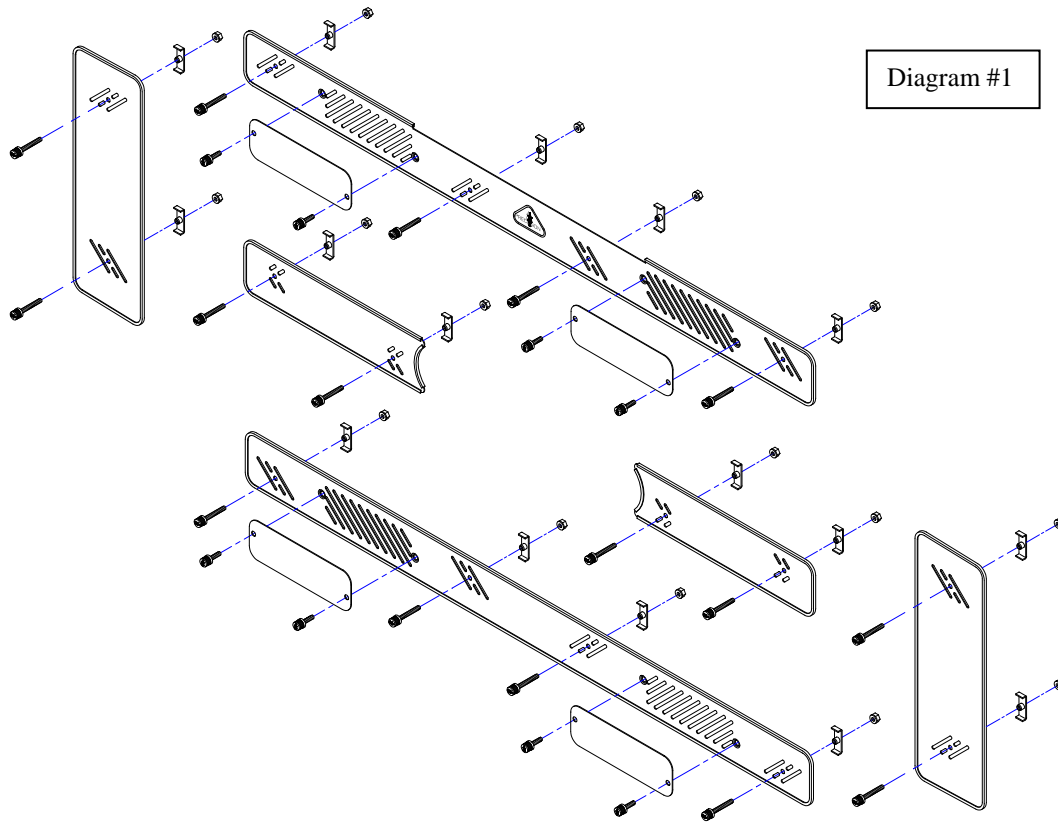
SEE DIAGRAMS ON PAGE 2 – (Reverse)

*Ford Superduty **Summer** Grill Insert available from your Dealer - Part No. 371194*
*Ford Superduty **Bumperscreens** also available from your Dealer!*

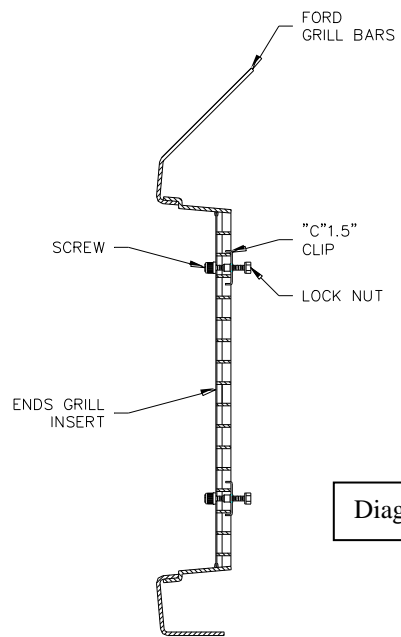
PRECISION DESIGN & MANUFACTURING INC.

PRECISION GRILL INSERTS INSTALLATION INSTRUCTIONS

FORD SUPERDUTY (2008 - C)
PART # 371195 (Winter Kit)



TYPICAL SIDE CROSS SECTION (MIDDLE)



TYPICAL SIDE CROSS SECTION (ENDS)

PRECISION DESIGN & MANUFACTURING INC.