



**2019-2022 Ford Ranger**  
**Mud Flap Set, Front**  
**Mounting Diagram & Instructions**  
**Kit# GCR45F**

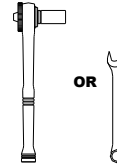
**IMPORTANT:**

*Manufacturer is not responsible for negligent use of vehicle with mud flaps installed, including over-tightening of screws and bolts causing damage to vehicle or mud flaps.*

**TOOLS REQUIRED-**



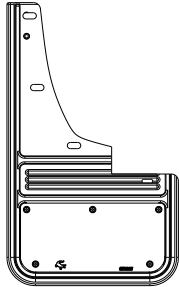
*Push Pin Removal Tool*



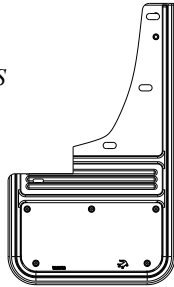
*7/16" Open Wrench and Socket Wrench*

**FLAPS AND BRACKETS**

*(1) Flap Front, DS*



*(1) Flap Front, PS*



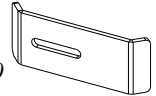
*(1) Bracket Front, DS Part #767037*



*(1) Bracket Front, PS Part #767038*



*(2) U-Clamp Front Part #766960*

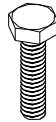


**PARTS BAG # 767050**

*a) (4) Capscrew, Blk Oxidized SS, 1/4"-20UNC x 3/8" Part #014069*



*b) (2) Screw SS, 1/4"-20 x 1" Part #014007*



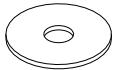
*c) (2) Capscrew, Blk Oxidized SS, 1/4"-20UNC x 5/8" Part #014071*



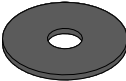
*d) (2) Nut, Hex SS, 1/4"-20 Part #025000*



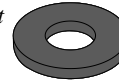
*e) (4) Washer, Flat 1" OD", SS Part #018028*



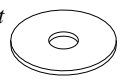
*f) (6) Washer, Flat, 1" OD, SS, Blk Ox. Part #018069*



*g) (4) Washer, Flat 1/8" Nylon Part #054076*



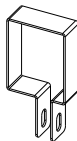
*h) (2) Washer, Flat 1" OD, Nylon Part #054061*



*i) (2) Lock Washer SS, 1/4", Helicoil Part #024000*

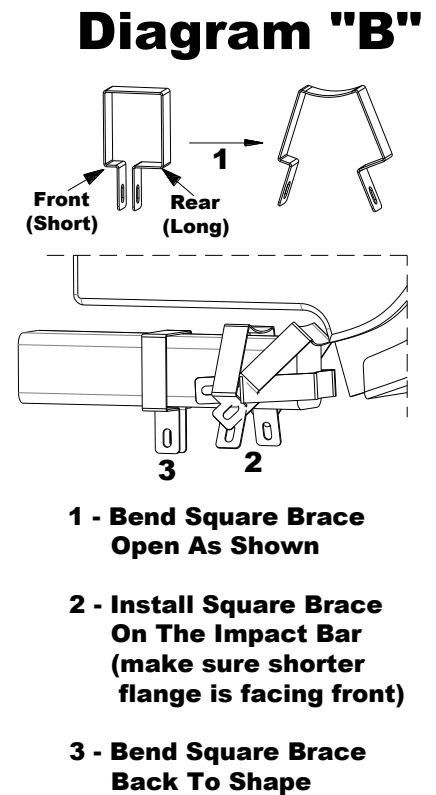
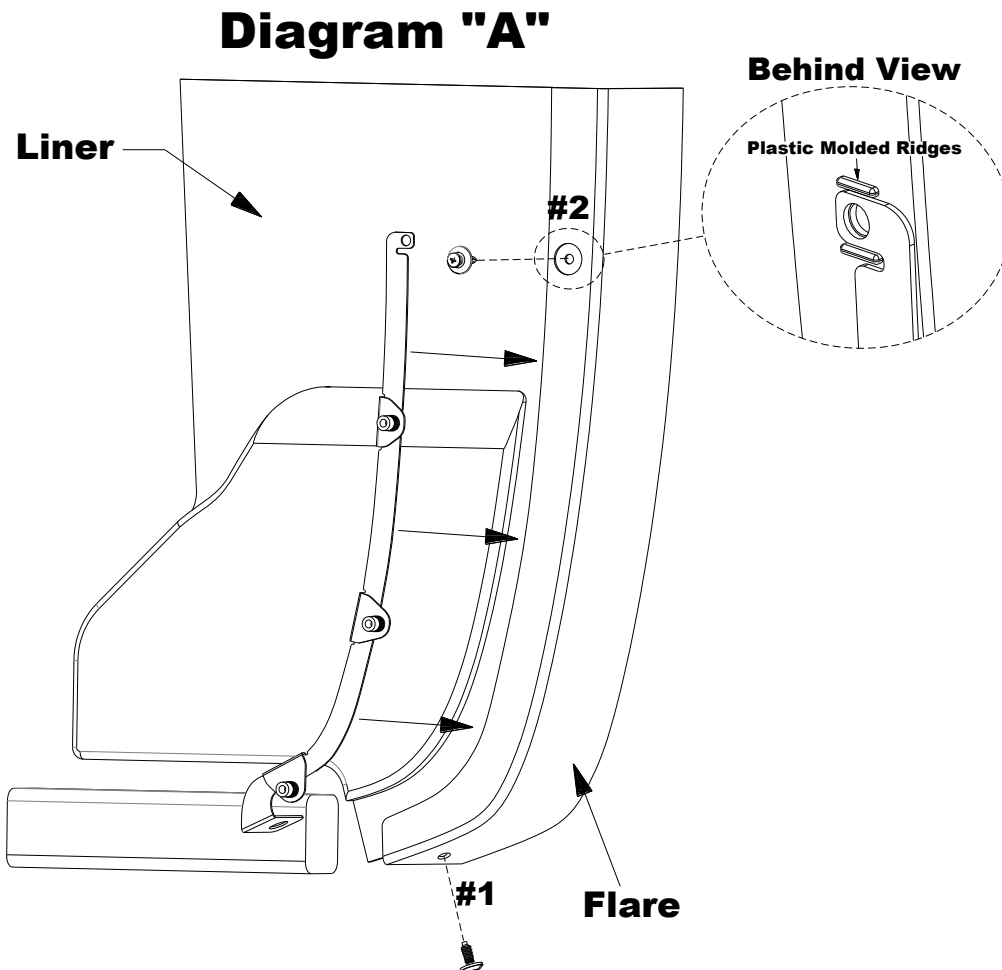


*j) (2) Brace Bar Square Part #767039*



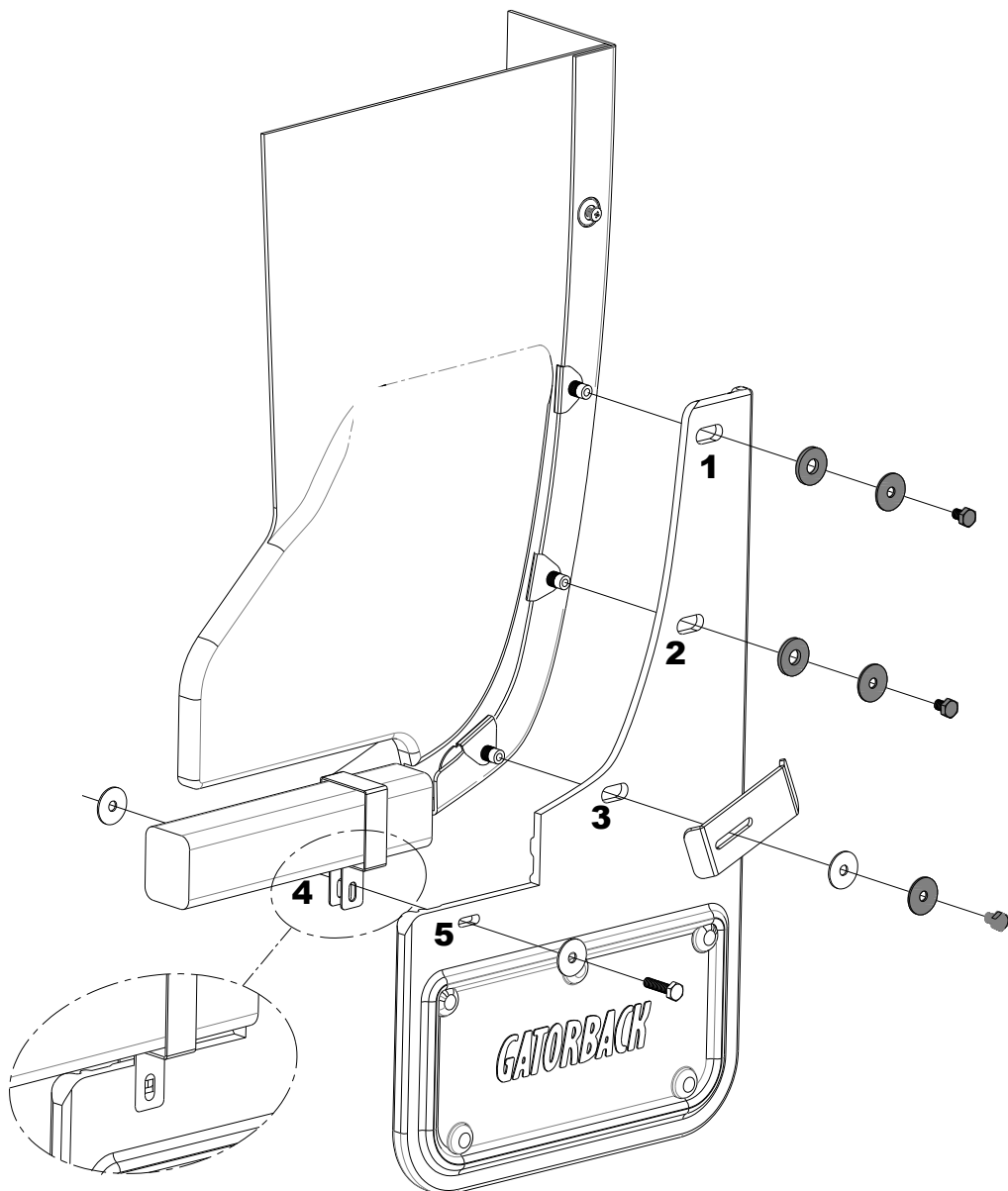
## INSTALLATION *(For ease of installation it is suggested that the wheel be removed)*

1. Before you install your Mud Flap Set, see the diagram and parts list for all necessary parts.
2. Remove the (1) factory screw on the underside of the flare (Diagram "A" hole #1) and set aside to reinstall later.
3. Remove the (1) factory push pin on the upper portion of the flare (Diagram "A" hole #2) and set aside to reinstall later.
4. Install bracket between flare and inner liner, ensuring that the slot under the top hole slides into place around the plastic ridges on the back of the flare as shown in Diagram "A".
5. Once the bracket is in place, press firmly on the flare to reattach the clips. \*Note: Bracket will require slight bend to properly fit\*
5. Realign and re-install first the push pin on upper portion of flare (Diagram "A" hole #2), then the screw in bottom of the flare (Diagram "A" hole #1).
6. Install square brace on the tire retention impact bar, as shown in Diagram "B".



7. Align the slots in the mudflap with the riv nuts in the brackets, as shown in Diagram "C"
8. Install first the nylon washer (054076), then a black stainless washer (018069) and a black ¼" stainless steel capscrew (014069) through holes #1 & #2 as shown in Diagram "C"
9. Install U-Clamp (766960), nylon washer (054061), black washer (018069) and 5/8" Capscrew (014071) through hole #3 as shown in Diagram "C"
10. Slide square brace into place as shown in Diagram "C", number 4, and install through hole #5 with a stainless washer (018028), and 1" stainless steel bolt (014007). Secure from behind using a stainless steel washer (018028), lock washer (024000), and hex nut (025000).
11. Before tightening, check that the flap is straight and level using a square or bubble level. (Do not over tighten)
12. Repeat procedure for the passenger side.

## Diagram "C"



Please check out our YouTube channel to see an install video for this application.





**2019-2022 Ford Ranger**  
**Mud Flap Set, Rear**  
**Mounting Diagram & Instructions**  
**Kit# GCR45R**

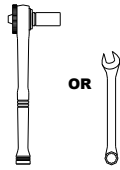
**IMPORTANT:**

*Manufacturer is not responsible for negligent use of vehicle with mud flaps installed, including over-tightening of screws and bolts causing damage to vehicle or mud flaps.*

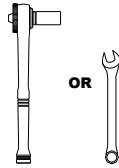
**TOOLS REQUIRED-**



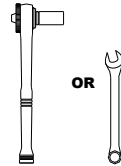
Push Pin Removal Tool



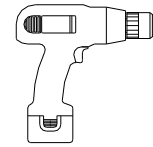
3/8" Open Wrench  
or Socket Wrench



5/16" Open Wrench  
or Socket Wrench



7/16" Open Wrench  
or Socket Wrench



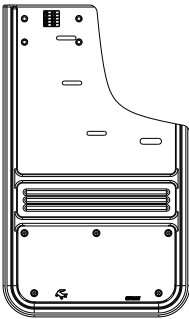
Electric or  
Rechargeable Drill



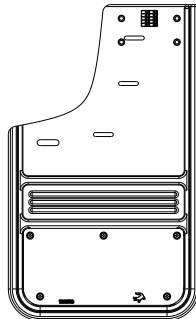
1/4" Drill Bit

**FLAPS**

(1) Flap  
Rear, DS



(1) Flap  
Rear, PS



(1) Bracket  
Rear, DS  
Part #767040

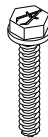


(1) Bracket  
Rear, PS  
Part #767041

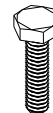


**PARTS BAG # 767089**

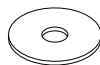
a) (6) Bolt, Hex Flange  
SS, M4.2 x 1" Black  
Part #016041



b) (4) Capscrew  
SS, 1/4-20 x 1"  
Part #014007



c) (8) Washer, Flat  
1" OD", SS  
Part #018028



d) (6) Washer, Flat, Blk Ox.  
0.203" ID x 1" OD, SS  
Part #018070



d) (6) Washer, Flat  
0.190" x 0.885", Nylon  
Part #054080



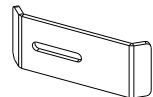
e) (4) Lock Washer  
SS, 1/4", Helicoil  
Part #024000



f) (4) Nut, Hex  
SS, 1/4-20  
Part #025000

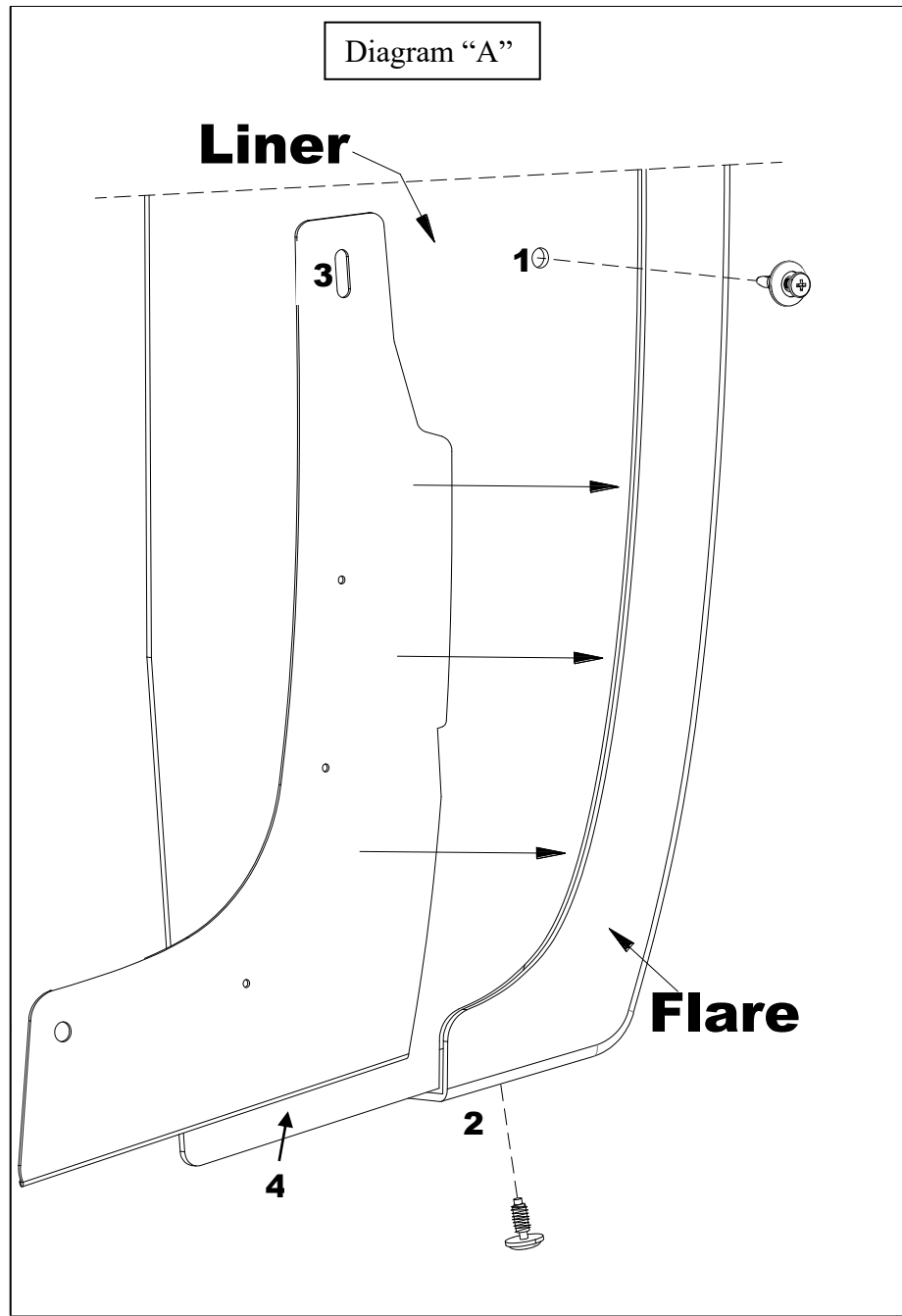


g) (6) U-Clamp  
1.50" x 4" x 0.125"  
Part #766960

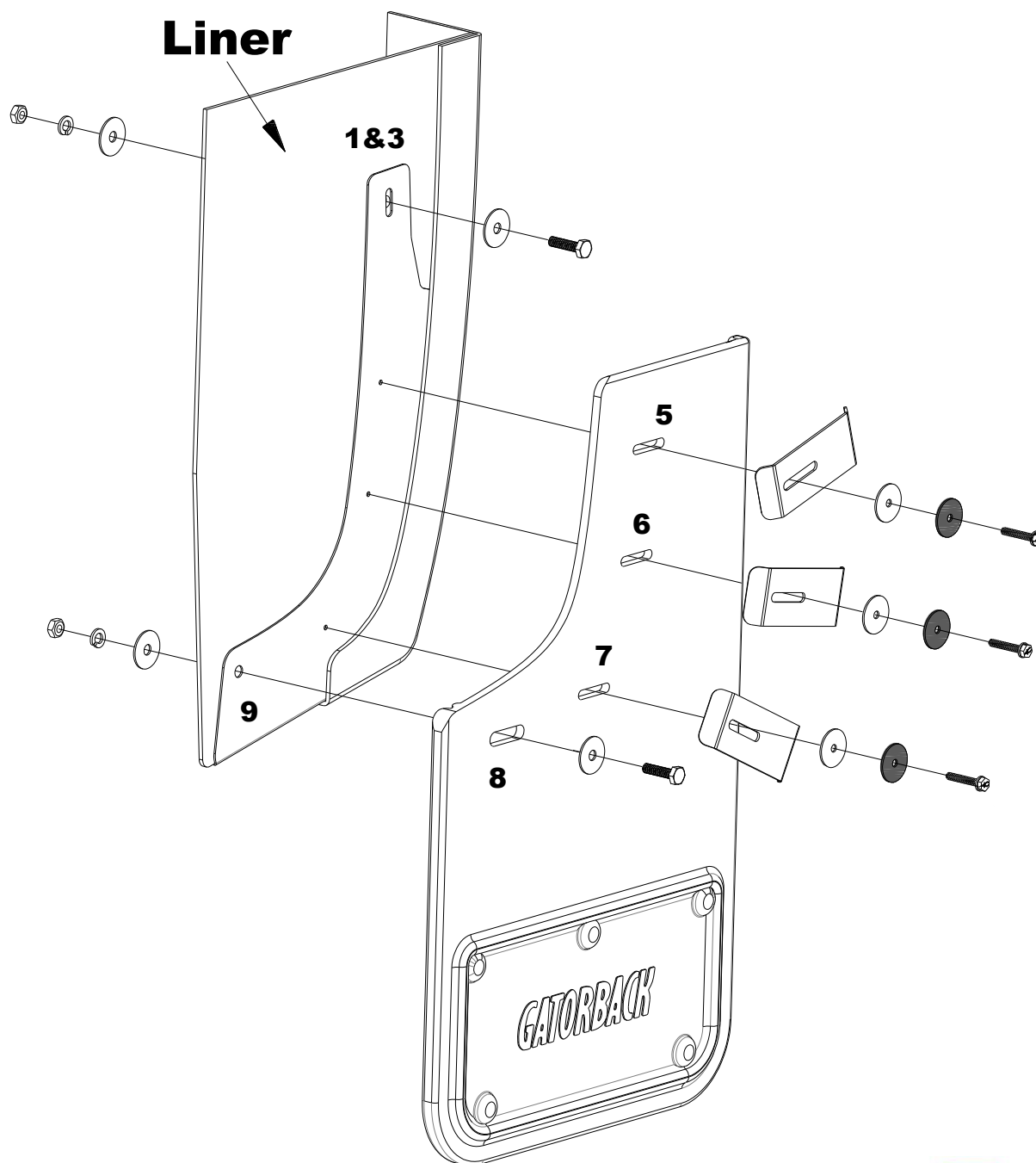


## INSTALLATION *(For ease of installation it is suggested that the wheel be removed)*

6. Before you install your Mud Flap Set, see the diagram and parts list for all necessary parts.
7. Remove the (1) factory push pin from hole number #1 on Diagram "A" and discard.
8. Remove the (1) factory screw from hole #2 on Diagram "A" and set aside to reinstall later.
4. Gently pull flare out and install bracket between flare and inner liner, aligning hole #1 with hole #3 and hole #2 with hole #4.  
*\*Note: Bracket will require slight bend to properly fit\**
5. Re-install screw in bottom of flare (Diagram "A" hole #2 and #4)



6. Install supplied capscrew (014007), washers (018028), lock washer (024000), and nut (025000) through holes #1 and #3 as shown in Diagram "B"
7. Align slots #5 to #7 with the dimples in the bracket and fasten using supplied U-Clamps (766960), nylon washer (054080), black stainless washer (018070), and bolt (016041) as shown in Diagram "B"
8. Before tightening, ensure that the flap is level using a square or bubble level. Do not over tighten.
9. Using hole #8 on the mud flap and hole #9 on the bracket as a guide, drill a 1/4" hole through the inner fender liner.
10. Fasten the mud flap hole #8 to the liner through hole #9 using a capscrew (014007), two stainless steel washer (018028), lock washer (024000), and nut (025000).
11. Tighten all fasteners
12. Repeat on passenger side.



Please check out our YouTube channel to see an install video for this application.

