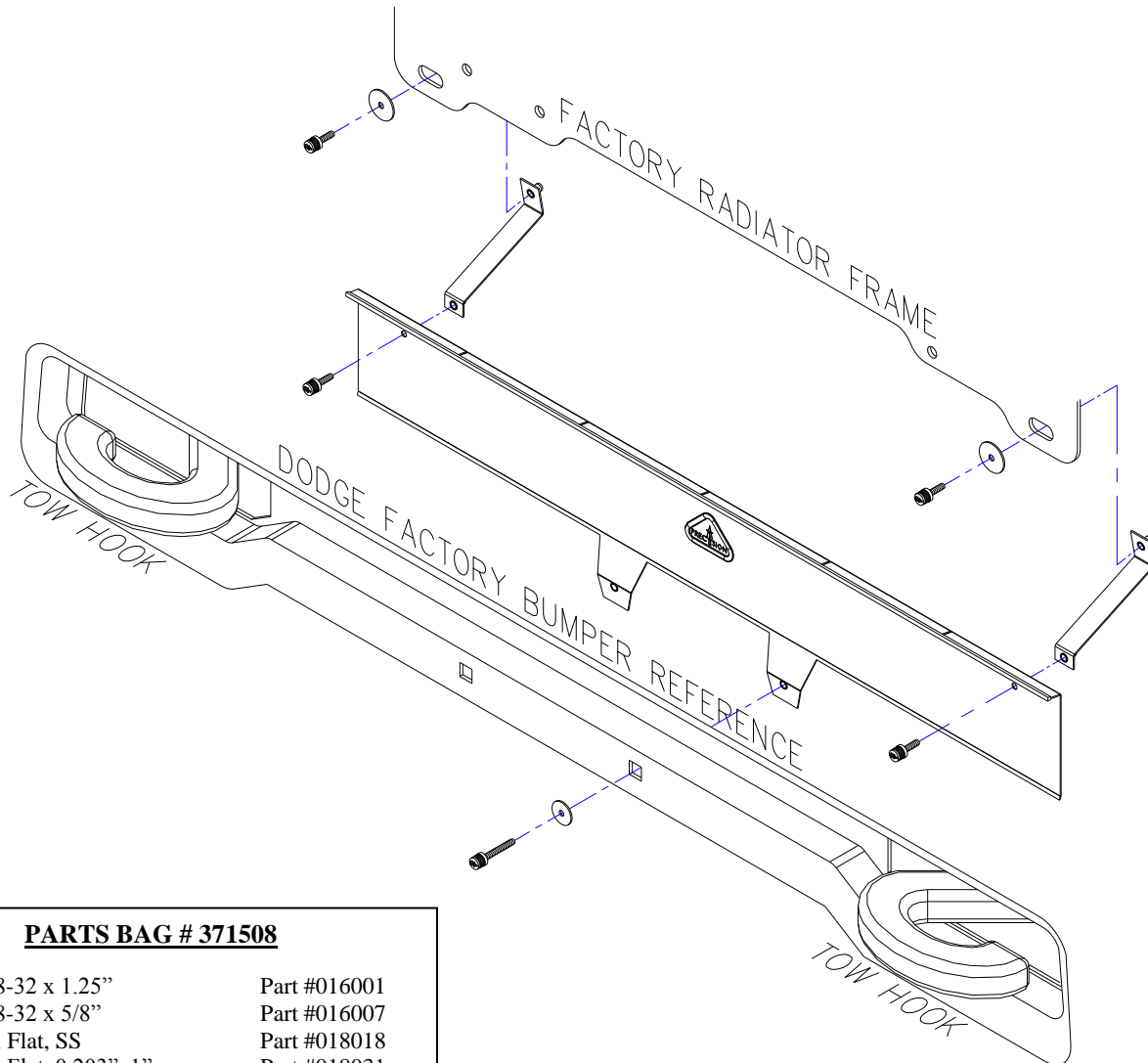


# PRECISION GRILL INSERTS INSTALLATION INSTRUCTIONS

**DODGE HD BUMPER INSERT KIT, W/TOW HOOKS (2010-C)**  
**PART # 371497 (Winter Kit)**

---

---



## **PARTS BAG # 371508**

(2) Screw, 8-32 x 1.25"	Part #016001
(4) Screw, 8-32 x 5/8"	Part #016007
(2) Washer, Flat, SS	Part #018018
(2) Washer, Flat, 0.203"x1"	Part #018031
(2) Clip, Bumper Screen	Part #371510

## **Stainless Steel Parts**

(1) Bumper Insert	Part #371507
-------------------	--------------

- 
- 
- Simply attach the clips with the long flange end to the center of the factory radiator frame slots (clip behind) with 2 screws (5/8") and large washers; hand tighten. Insert Bumperscreen into opening with bent flange above opening. Loosely secure lower Bumperscreen tabs with license plate holes (remove license plate if installed) and attach with 2 screws (1.25") and small washers (reinsert license plate during this procedure if required). Align clips with holes in Bumperscreens and tighten all 4 exposed screws snugly by hand.
  - Precision Grill Inserts are designed to fit your truck. If they do not fit perfectly, they are installed incorrectly. If at anytime your engine overheats, remove the insert.
- 
-