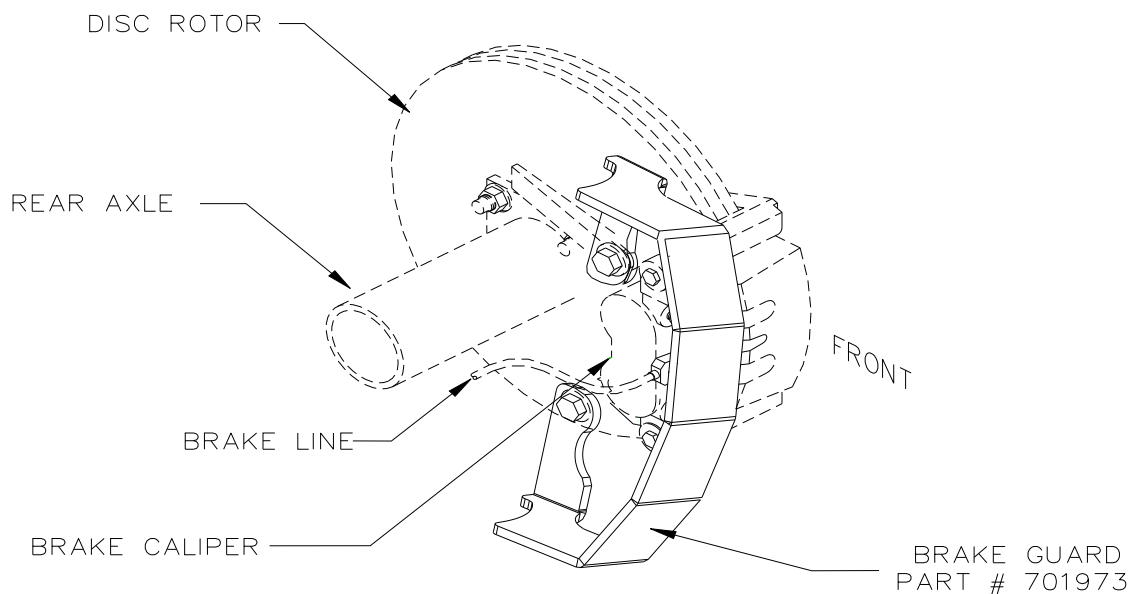


BRAKE CALIPER/BRAKE LINE PROTECTORS

Fits 2014 - CHEV/GMC 1500

KIT #701974

DRIVER SIDE SHOWN WITHOUT THE WHEEL RIM



REAR WHEEL, BRAKE GUARD (2014 CHEV/GMC 1500)
BRAKE GUARD KIT # 701974

FEATURES

- Strong, long-lasting 1/8" Stainless Steel construction.

BENEFITS

- Protects brake lines and calipers from rock and road debris damage.

INSTALLATION

- 1) Wheels do not need to be removed for installation of brake guards.
- 2) To install, fully remove the top factory caliper mount bolt, install the brake guard using the factory bolt, tighten.
- 3) Repeat the procedure for the bottom factory bolt.

Note: DO NOT remove both bolts at the same time

IMPORTANT: Inspect all Bolts when installed, insure they are tight!