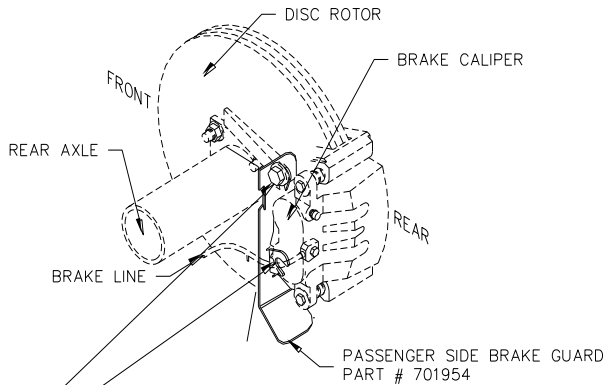


BRAKE DISC CALIPER PROTECTORS

Fits 2013–Dodge HD - Dual Wheel

PASSENGER SIDE SHOWN WITHOUT THE WHEEL RIM



NOTE:

FACTORY CALIPER BOLTS ARE USED TO FASTEN THE BRAKE GUARD IN PLACE
LOOSE BOTH FACTORY CALIPER BOLTS TO INSTALL THE BRAKE GUARD
SAME INSTALLATION FOR DRIVER SIDE

REAR WHEEL, BRAKE GUARD (2013 DODGE DUALY)
BRAKE GUARD KIT # 701955

FEATURES

- Strong, long-lasting 1/8" Stainless Steel construction.
- Tabs are TIG welded for extra strength.

BENEFITS

- Protects brake lines and calipers from rock damage.
- Blocks the majority of rocks that will damage brakes and calipers.

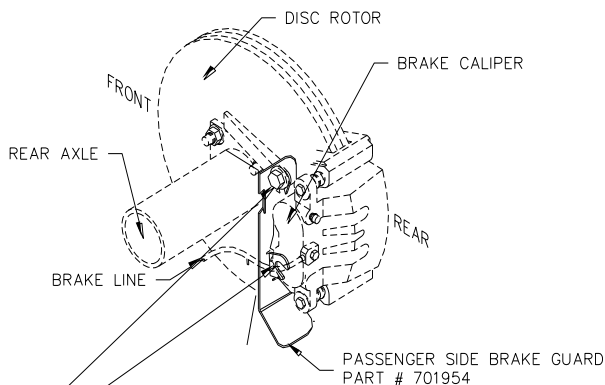
NOTE: 1) To install, loosen factory bottom caliper bolt and fully remove top bolt.
2) Wheels do not need to be removed for installation of brake guards.

Cover Set - #701955

BRAKE DISC CALIPER PROTECTORS

Fits 2013–Dodge HD - Dual Wheel

PASSENGER SIDE SHOWN WITHOUT THE WHEEL RIM



NOTE:

FACTORY CALIPER BOLTS ARE USED TO FASTEN THE BRAKE GUARD IN PLACE
LOOSE BOTH FACTORY CALIPER BOLTS TO INSTALL THE BRAKE GUARD
SAME INSTALLATION FOR DRIVER SIDE

REAR WHEEL, BRAKE GUARD (2013 DODGE DUALY)
BRAKE GUARD KIT # 701955

FEATURES

- Strong, long-lasting 1/8" Stainless Steel construction.
- Tabs are TIG welded for extra strength.

BENEFITS

- Protects brake lines and calipers from rock damage.
- Blocks the majority of rocks that will damage brakes and calipers.

NOTE: 1) To install, loosen factory bottom caliper bolt and fully remove top bolt.
2) Wheels do not need to be removed for installation of brake guards.

Cover Set - #701955