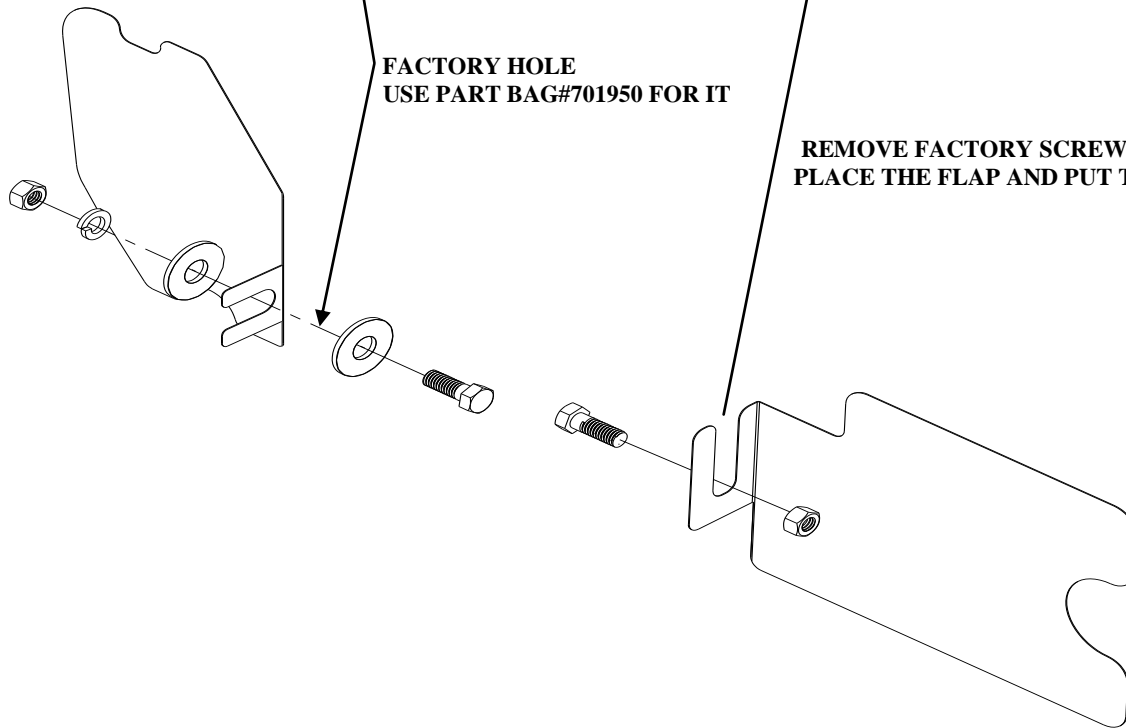
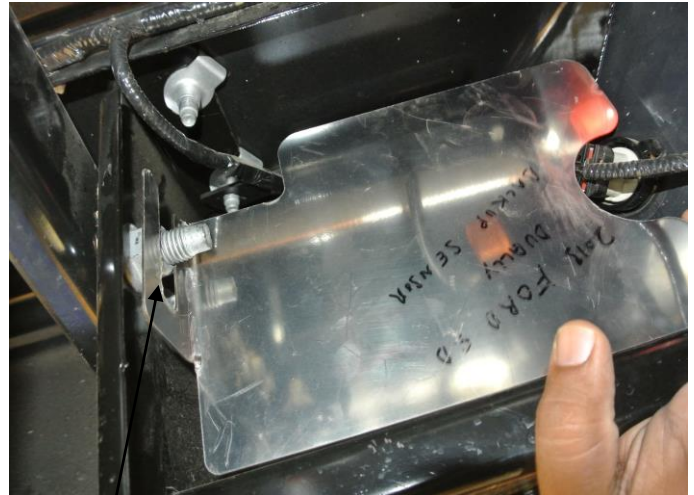


IMPORTANT:

Manufacturer is not responsible for negligent use of vehicle with Sensor Flap Installed, Including over-tightening of screws and bolts causing damage to vehicle or flap.



**FACTORY HOLE
USE PART BAG#701950 FOR IT**

**REMOVE FACTORY SCREW AND NUT.
PLACE THE FLAP AND PUT THE SCREW BACK ON.**

PARTS BAG LIST #701950

(2) Washer, Flat
(1) Screw, SS

Part #018048
Part #014038

(1) Lock Washer
(1) Nuts

Part #024006
Part #025015

Stainless Steel Parts

(1) Left Driver Side
(1) Right Passenger Side
(1) Right Driver Side
(1) Left Passenger Side

Part #701945
Part #701946
Part #701947
Part #701948