



2024 Ford Ranger, Mud Flap Set, Front Mounting Diagram & Instructions

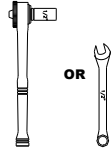
IMPORTANT:

The manufacturer is not responsible for negligent use of vehicle with mud flaps installed, including over-tightening of screws and bolts causing damage to vehicle or mud flaps.

TOOLS REQUIRED:



Push Pin
Removal Tool

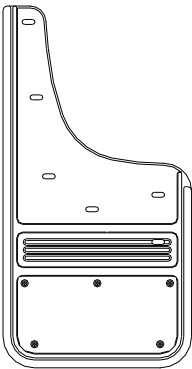


OR
1/4" open or
socket wrench

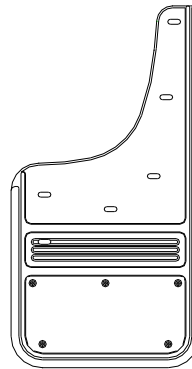


FLAPS AND BRACKETS

(1) Mud Flap
Driver Side



(1) Mud Flap
Passenger Side



PARTS BAG #770894

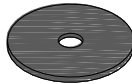
a) (8) Sht Mtl Screw
8-18 x 1" SS Blk Oxidized
Part #016055



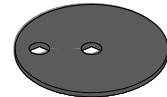
b) (4) Sht Mtl Screw
8-15 x 1.25" SS Blk Oxidized
Part #016059



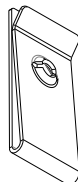
c) (10) Washer, Flat
0.203" x 1" SS Blk Oxidized
Part # 018070



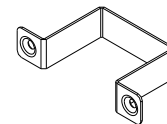
d) (2) Washer, Offset
0.203" x 1.5" SS Blk Oxidized
Part # 018080



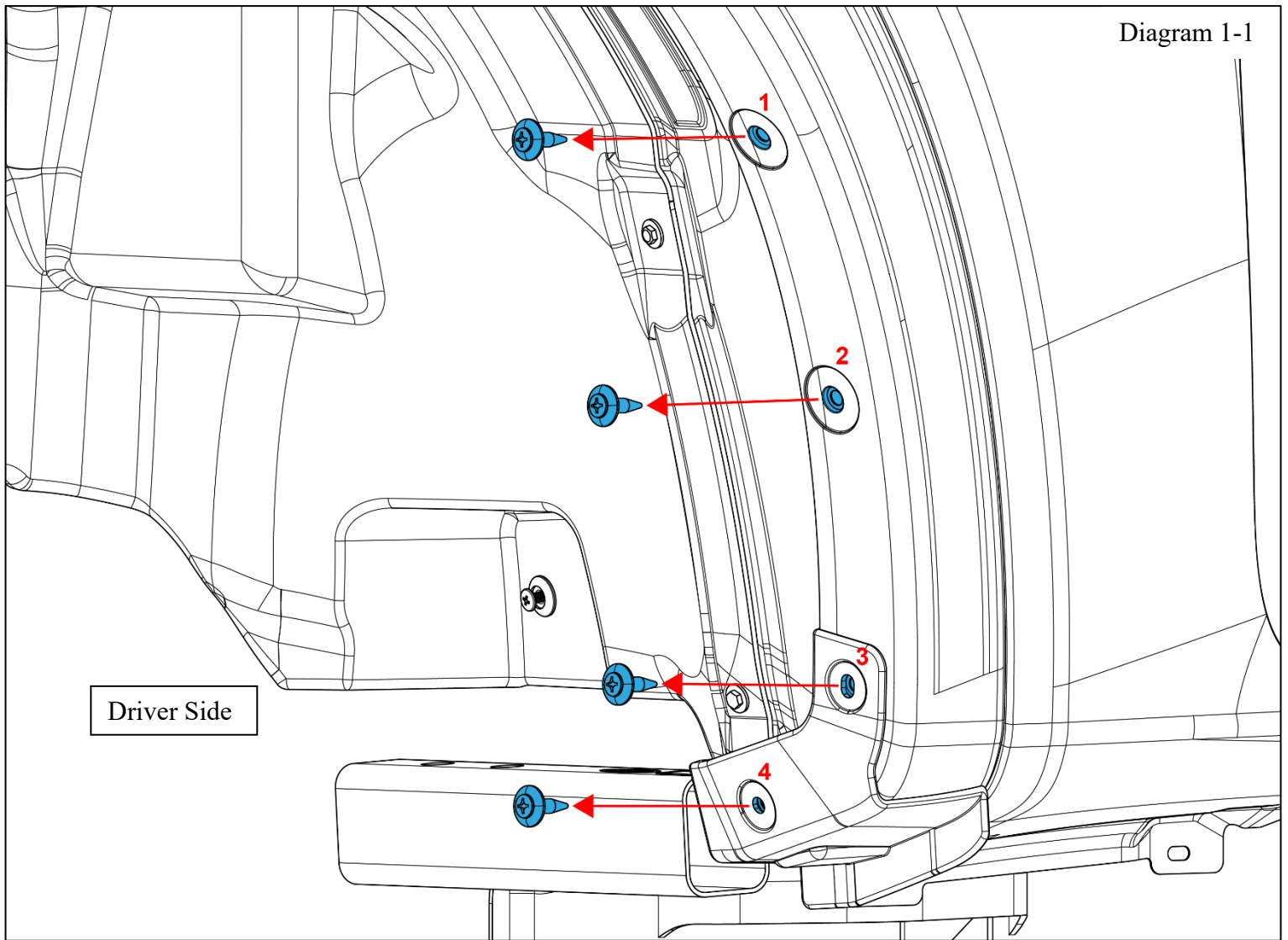
e) (8) Spring Nut, SS
#8, 9/16" Reach
Part #028004



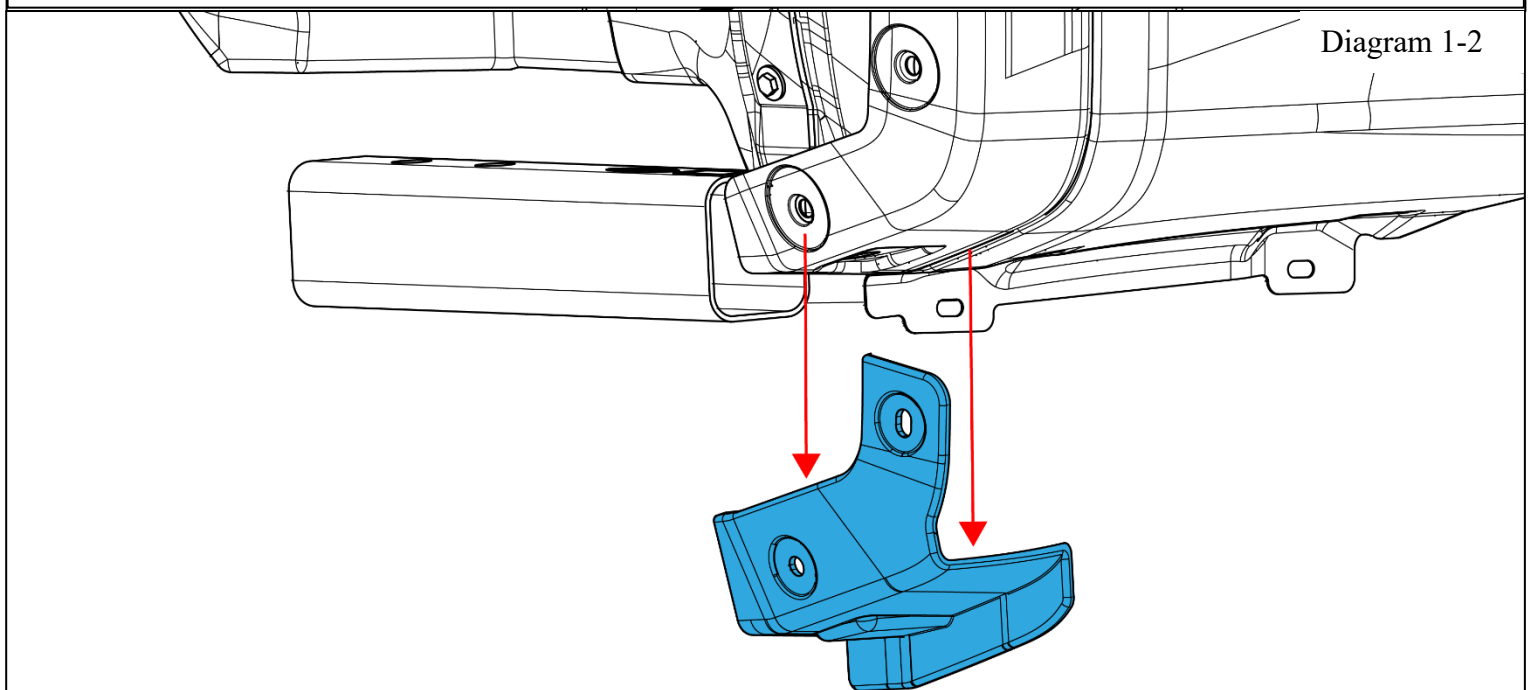
f) (2) Impact Bar Bracket
Universal
Part #770892



Installation

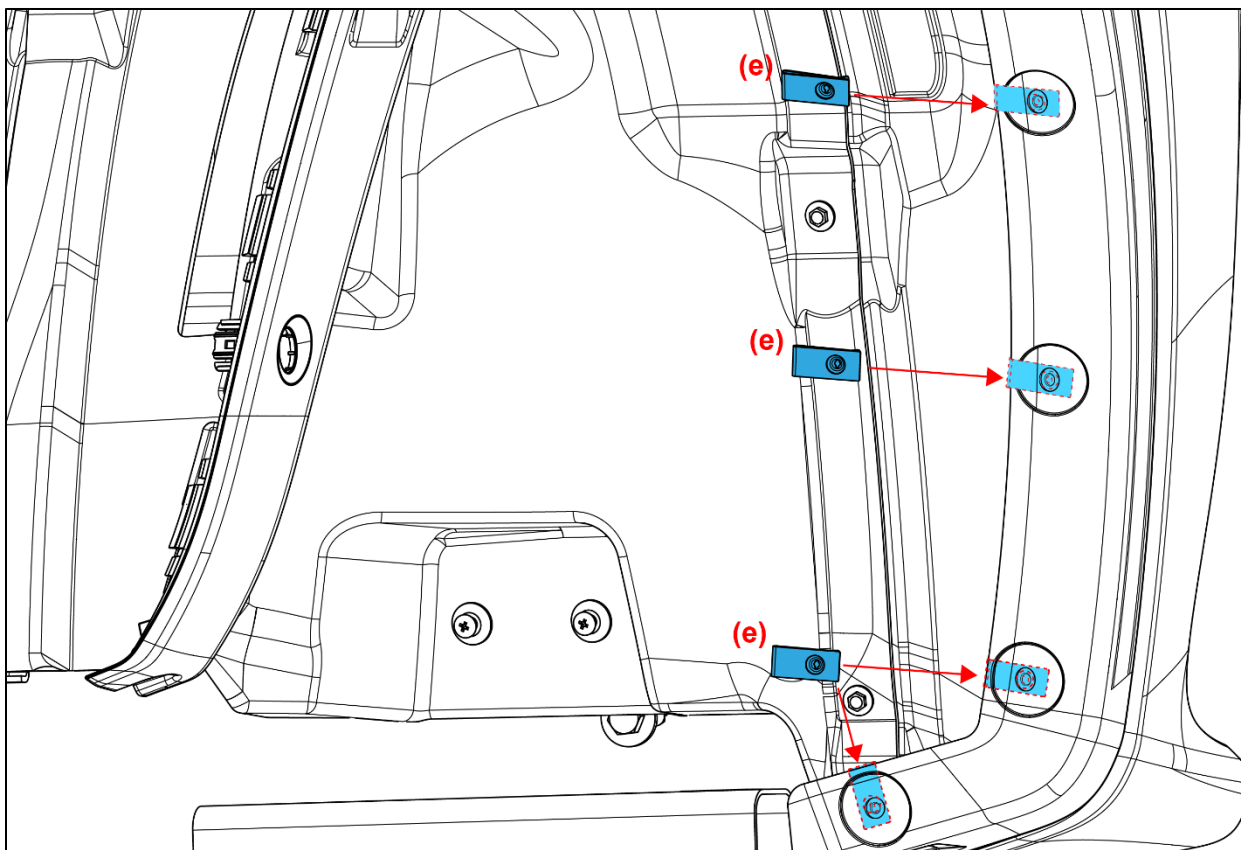


1-1: Remove the 4 factory push pins on the fender. Discard.



1-2: Remove the factory impingement guard. Discard.

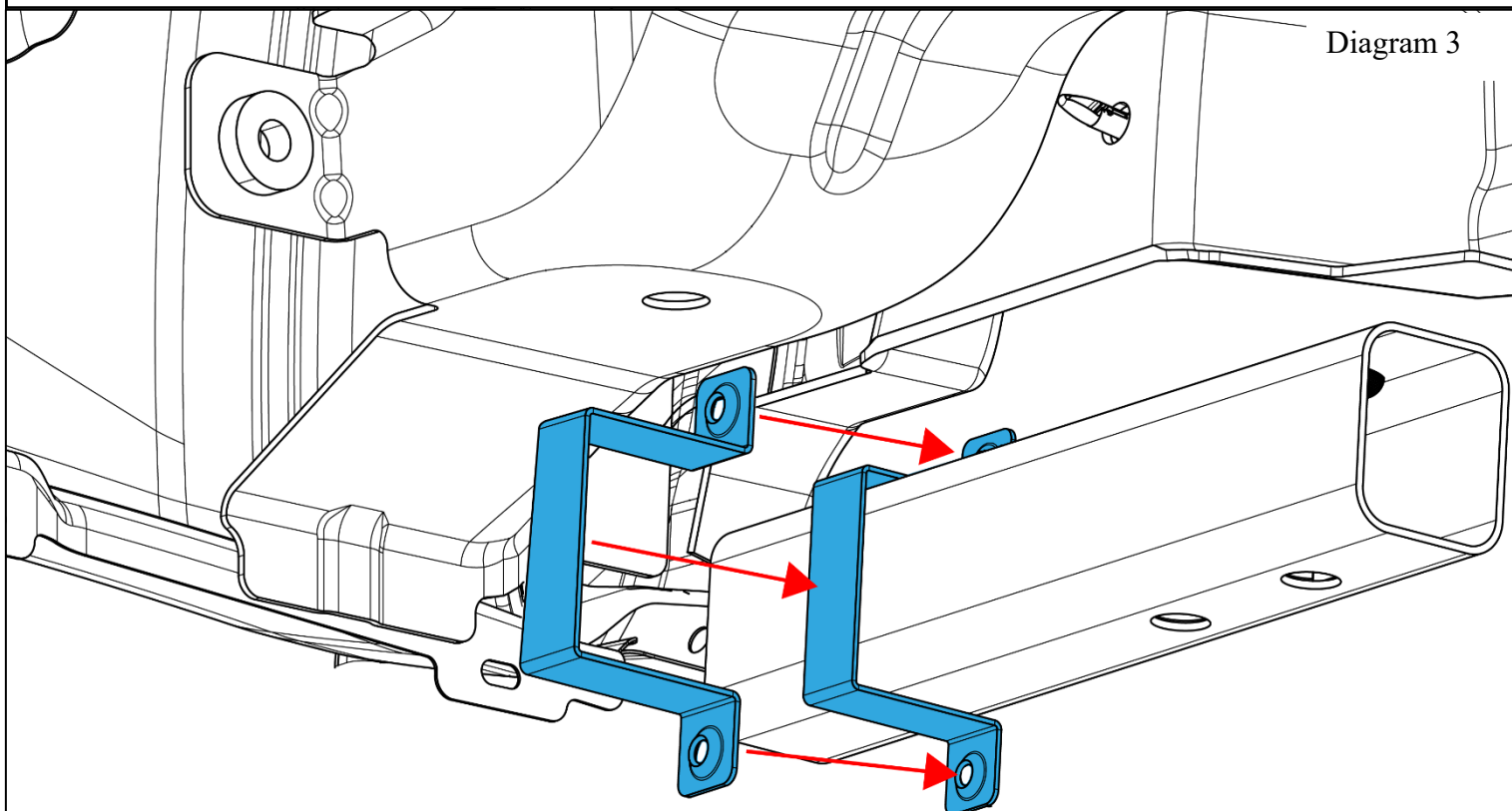
Diagram 2



2: Install spring nut (e) on factory holes where push pins were removed. Note that the protruding side of the clip should be facing inward, with the flat side laying between the sheet metal and the plastic wheel lip.

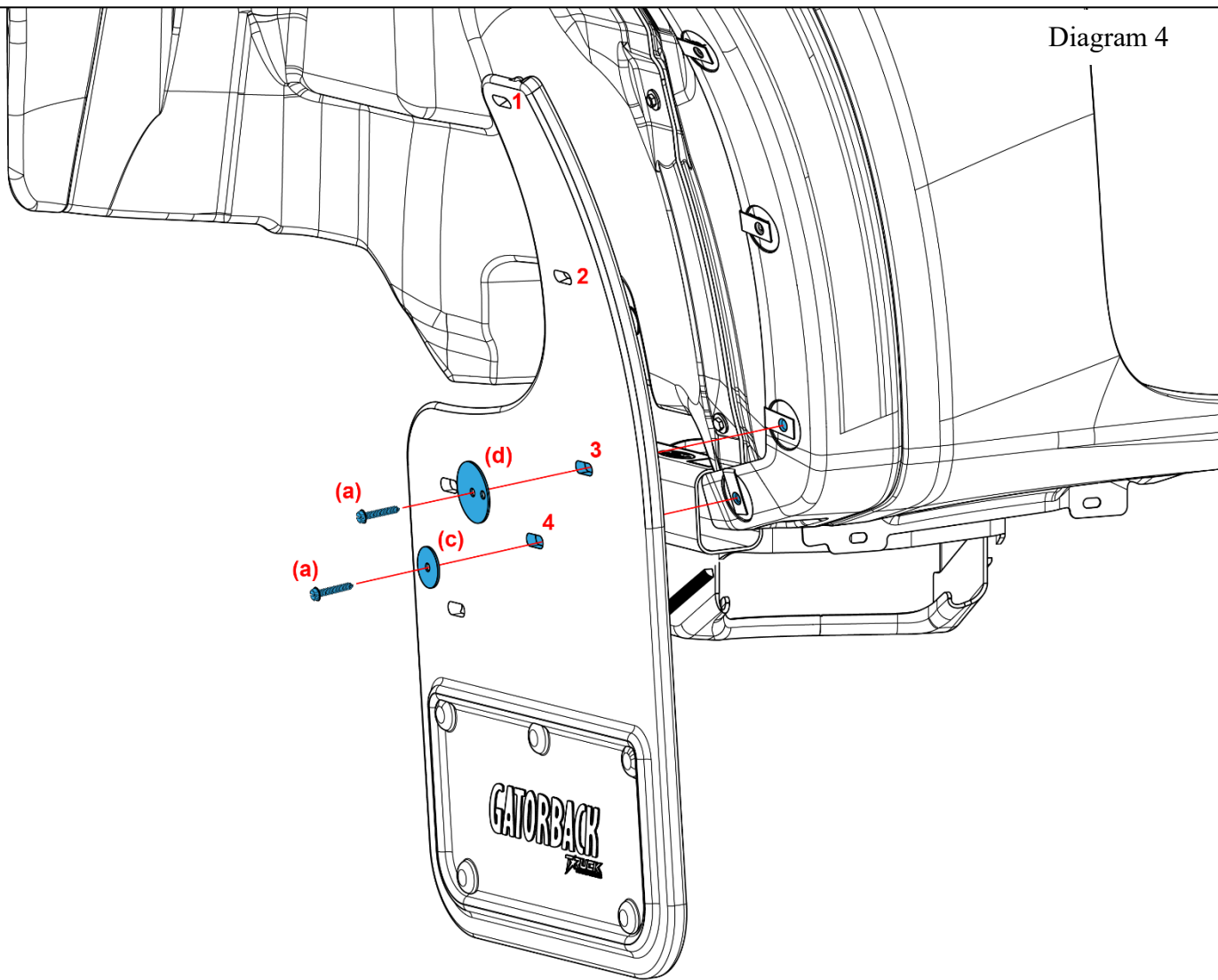
Tip: Ensure that the holes in the spring nut are aligned properly with the factory holes by putting one of the supplied screws through the factory holes and into the spring nut.

Diagram 3



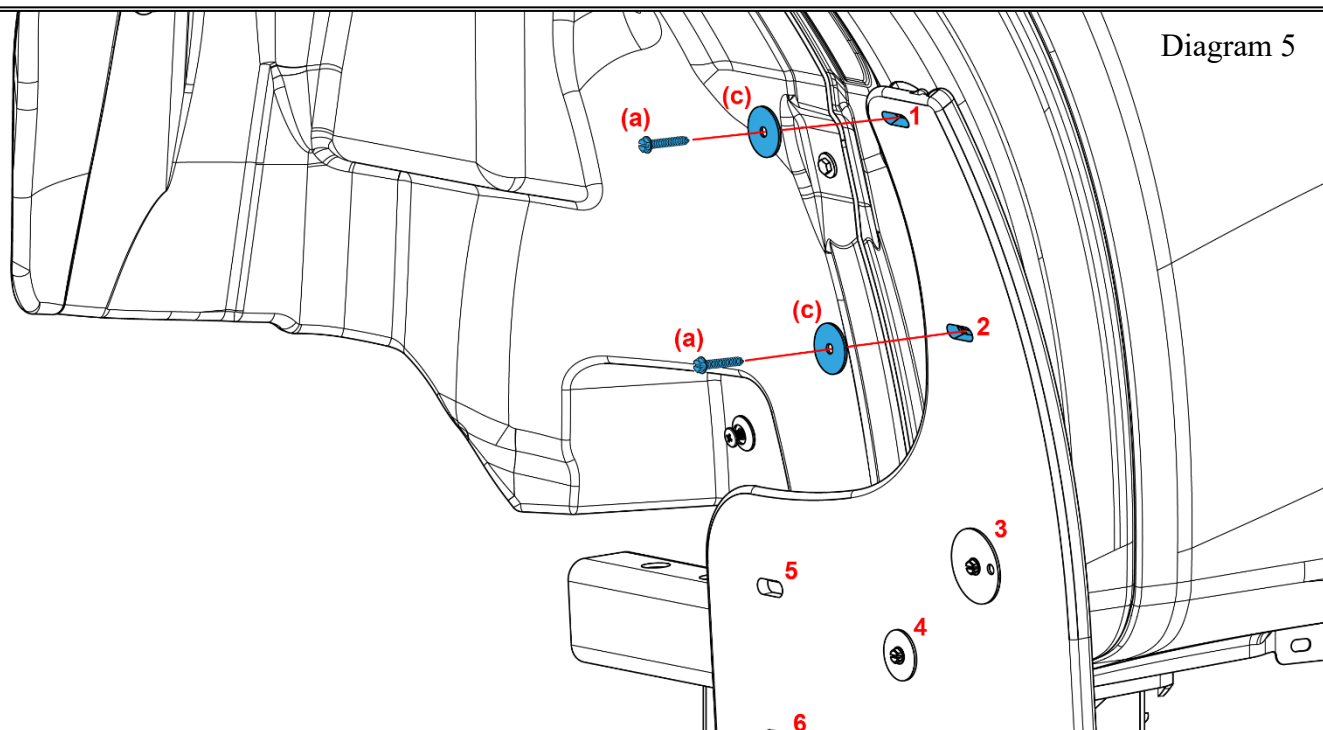
3: Install bracket on impact bar from behind so that the flanges face the tire.

Diagram 4



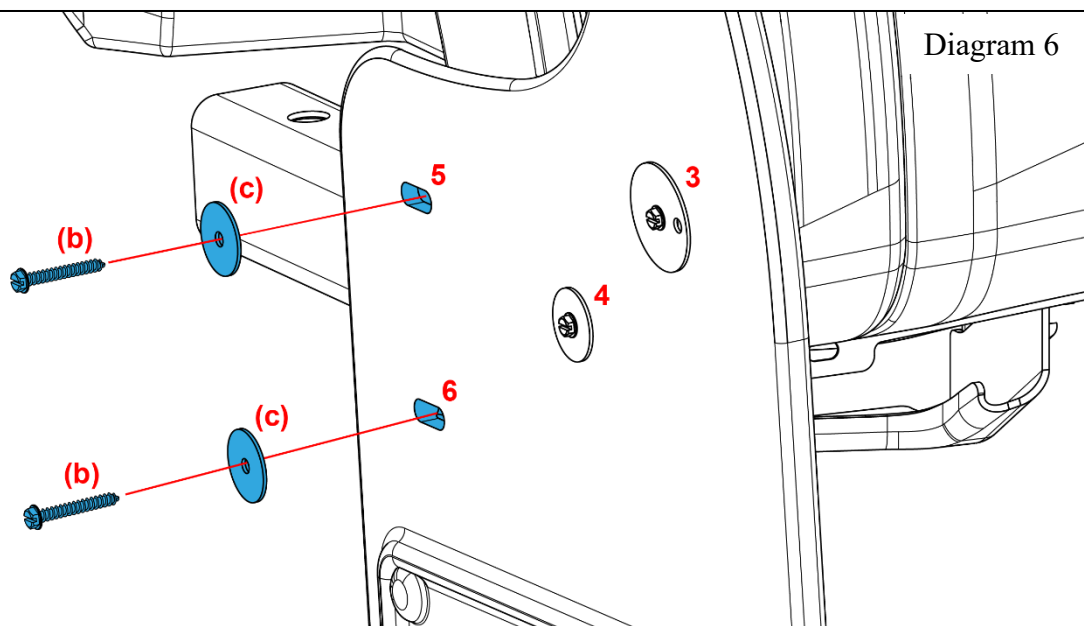
4: Loosely install hardware as shown

Diagram 5



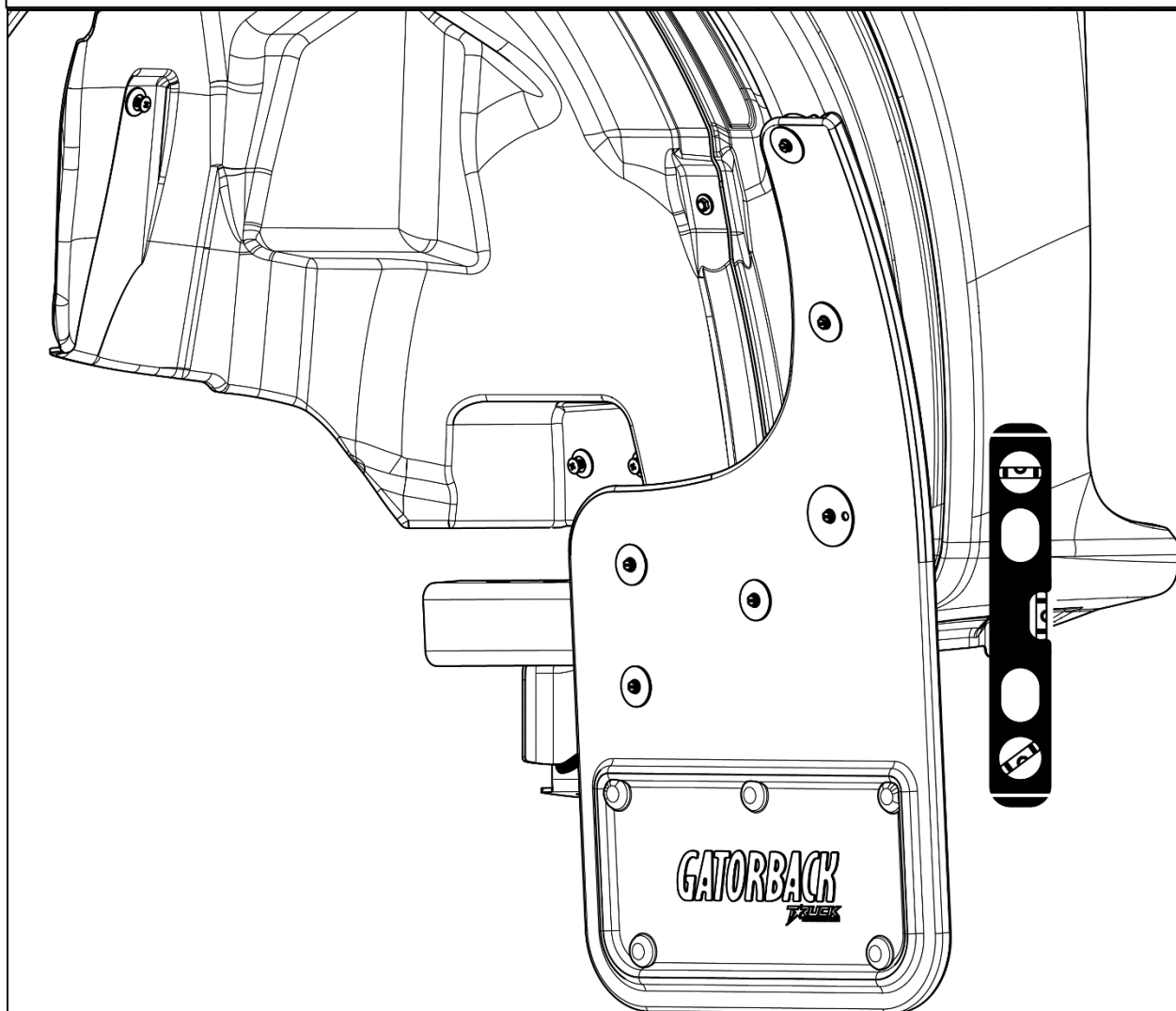
5: Loosely install hardware as shown

Diagram 6



6: Loosely install hardware through holes #5 & #6 into the impact bar bracket. Hole #6 should be installed first.

Diagram 7



7: Use a levelling tool to sure flap is level and tighten all fasteners.



Gatorback Mud Flaps by Truck Hardware Ltd.

LIMITED WARRANTY

All Ford part numbers provided by Truck Hardware Ltd. are warranted to be free from defects in materials or workmanship on products properly installed per the installation instructions provided with the product. This warranty covers repair or replacement of any defective product at no charge during the applicable warranty period listed below. Labor for replacement or service of defective product is not paid or reimbursed by Truck Hardware Ltd.

WARRANTY PERIOD		
	USA	Outside USA
Product which appears on New Vehicle Monroney Label (window sticker)	Coverage which matches new vehicle warranty---Ford - 3 years or 36,000 miles whichever comes first; Lincoln 4 years or 50,000 miles whichever comes first	Coverage which matches new vehicle warranty ---Ford - 3 years or 60,000 kilometers whichever comes first; Lincoln 4 years or 80,000 km whichever comes first
Part purchased and installed during or after the original vehicle warranty	Whichever of the following options provides the greater benefit to the customer: 1) 2 years / unlimited miles or 2) The remainder of the new vehicle warranty	Whichever of the following options provides the greater benefit to the customer: 1) 2 years / unlimited kilometers or 2) The remainder of the new vehicle warranty

This limited warranty does not cover any damage, defect or malfunction caused by misuse, abuse, accident, improper installation, modification or improper or lack of maintenance. Incidental and consequential damages are not recoverable under this warranty. This warranty offers you specific legal rights. You may have additional or other rights as which vary from state to state or province to province.

If you experience a warranty issue with this product please visit your Ford dealer. If the repair is covered by the warranty above and completed by the dealership, labor is also covered by Ford -- Ford Warranty and Policy – Section 3.

Please note that Truck Hardware Ltd. has replacement component parts available to assist consumers and dealers to resolve warranty and non-warranty issues as quickly as possible.

Note to dealer:

Ford dealers should contact Truck Hardware Ltd. by phone at 1-800-661-8208 and ask to speak to the warranty administrator or by email to: info@truckhardware.ca.