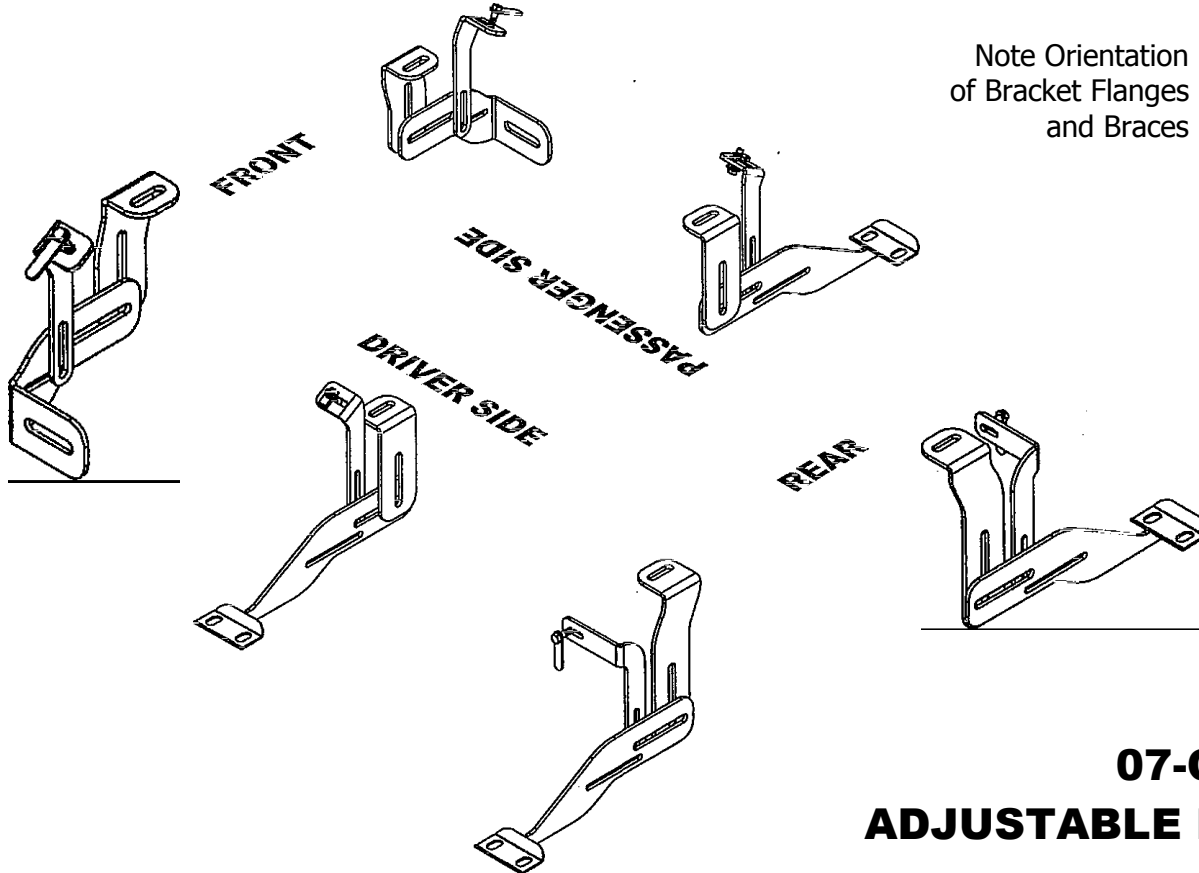


01-C. GM CREW CAB #760029 & #760033

Qty	Part #	Description	Qty	Part #	Description
1	Assembled	Front Driver Side Bracket	2	014021	5/8" x 2" Cap Screw
1	Assembled	Front Passenger Side Bracket	2	024003	5/8" Lock Washer
1	Assembled	Middle Driver Side Bracket	2	018045	5/8" Flat Pltd Washer
1	Assembled	Middle Passenger Side Bracket	4	762236	3/8" x 1" T-bolt
1	Assembled	Rear Driver Side Bracket	4	025015	3/8" Hex Nut
1	Assembled	Rear Passenger Side Bracket	12	018046	3/8" Flat Pltd Washer
2	014021	5/16" Lock Washer	12	024006	3/8" Lock Washer
2	018047	5/16" Flat Pltd Washer	8	014012	3/8" x 1-1/2" Cap Screw
2	028005	5/16" Spring Nut	2	014022	5/16 - 18" x 1" Cap Screw
			18.25'	080407	Bulb Seal



07-C, GM CC ADJUSTABLE MOUNTS

- Step 1** Remove front cab mount bolt and install front bracket with the factory bolt.
- Step 2** Remove Middle cab mount bolt and install middle bracket loosely with the factory bolt. Repeat process for the rear brackets.
- Step 3** Lay assembled board on the middle and rear brackets and use a jackstand to steady if available, install board to front bracket using 5/8" x 2" cap screw with 5/8" flat washer. Level to body line and tighten.
- Step 4** Install front bracket support strap using 3/8" x 1-1/2" T-bolt and 3/8 x 1-1/2" cap screw with 3/8" flat washer, 3/8" lock washer and 3/8" hex nut.
- Step 5** Install middle bracket support strap using 5/16" spring nut and 5/16" x 1" cap screw with 5/16" flat washer, 5/16" lock washer and h/16" hex nut.
- Step 6** Remove any plastic wrap around bracket saddles and install 3/8" x 1-1/2" cap screws with 3/8" flat washer and 3/8" lock washer into the bottom of tube. Repeat process for opposite side.