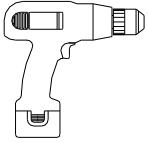


**IMPORTANT:**

*The manufacturer is not responsible for negligent use of vehicle with mud flaps installed, including over-tightening of screws and bolts causing damage to vehicle or mud flaps.*

**TOOLS REQUIRED:**



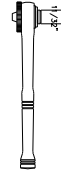
Electric or re-chargeable  
1/2" or 3/8" drill.



#2 Phillips screwdriver



3/8" socket driver



OR



11/23" open end  
wrench or socket wrench

**KIT CONTAINS: PARTS BAG #755175**

a) (2) Mount Bracket,  
Rear  
Part #755174



b) (6) Machine Screw  
#8-32 x 7/8"  
Part #012025



c) (6) Flat Washer  
0.188" x 0.781"  
Part #018018



d) (6) Nylock Nut  
#8-32  
Part #025005



e) (6) Tek Screw  
1/4" X 1.25"  
Part #010011



f) (6) Flat Washer  
0.281" x 1"  
Part #018028



**INSTALLATION**

*For ease of installation, it is suggested that the wheel be removed.*

1. Fasten the LH mount bracket to the left hand flap with 3 machine screws / small washers and nylock nuts to Holes #1, #2 and #3 or if you prefer the flap mounted higher and farther away from the ground then use Holes #4, #5 and #6.  
See Diagram #1.

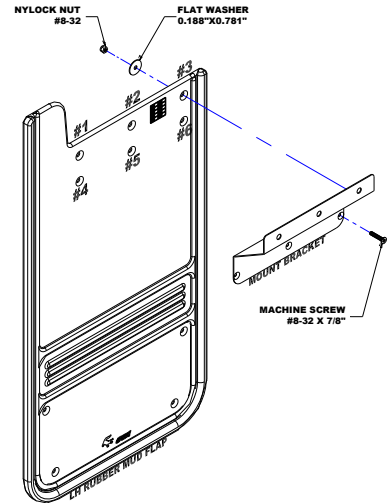


Diagram #1

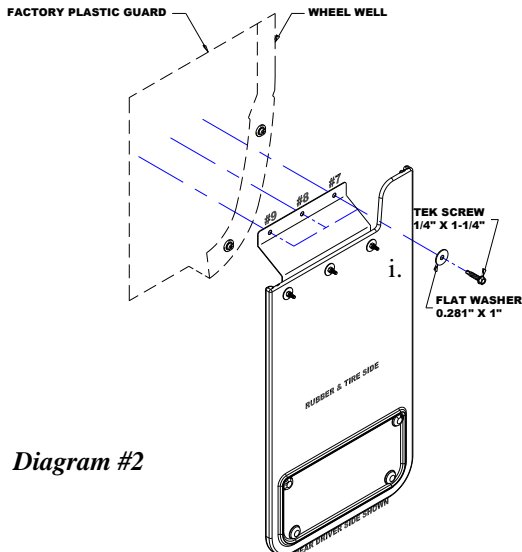


Diagram #2

2. Secure the bracket on Holes #7, #8, and #9 through the factory plastic guard with 3 TEK screws and washers.  
See Diagram #2.

✓ Check all fasteners for tightness. Repeat procedure on other side