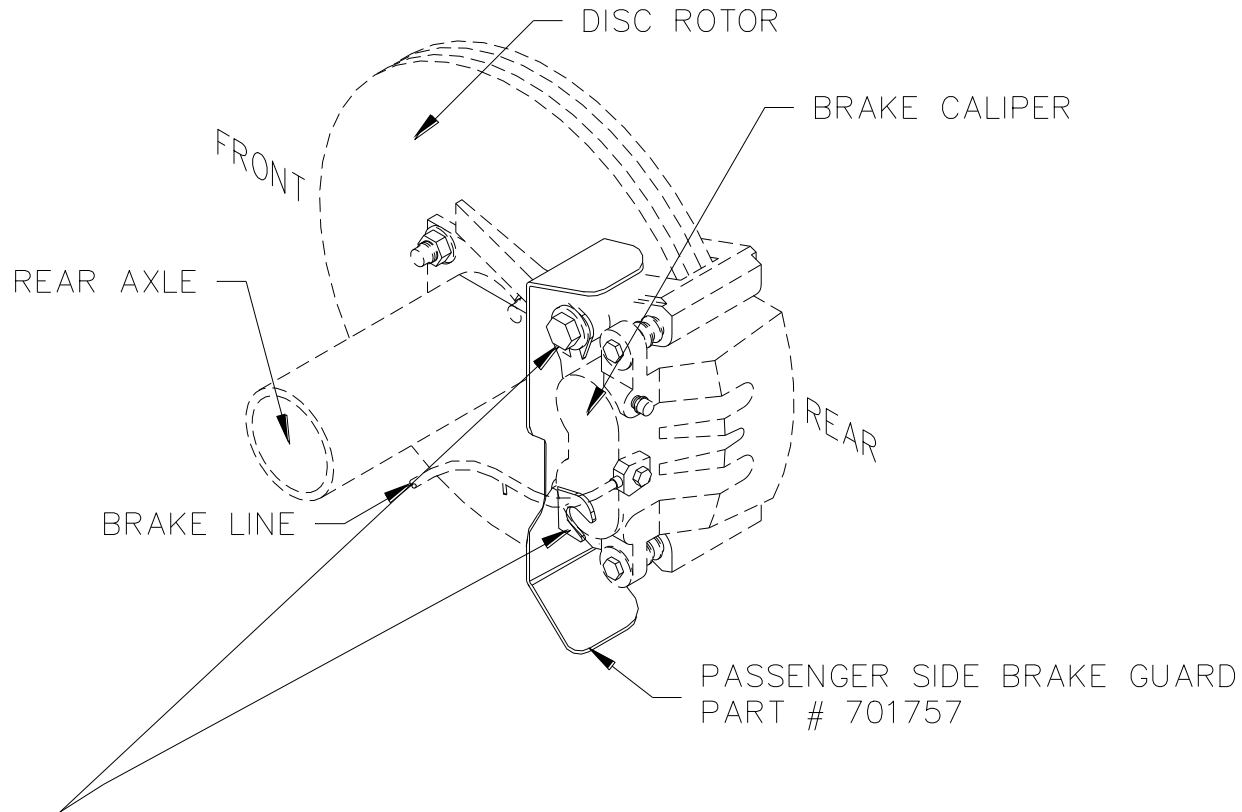


PASSENGER SIDE SHOWN WITHOUT THE WHEEL RIM



NOTE:

FACTORY CALIPER BOLTS ARE USED TO FASTEN THE BRAKE GUARD IN PLACE  
LOOSE TOP FACTORY CALIPER BOLTS AND REMOVE BOTTOM BOLT TO INSTALL THE BRAKE GUARD  
SAME INSTALLATION FOR THE DRIVER SIDE

REAR WHEEL, BRAKE GUARD (2013 FORD SD DUALY)  
BRAKE GUARD KIT # 700283