

EGR

INSTALLATION INSTRUCTIONS

Tools Required



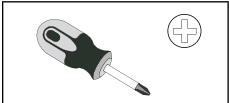
Clean Dry Cloth



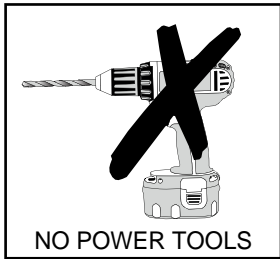
Soap & Water



Non-Permanent Marker



#2 Phillips Head Screwdriver



NO POWER TOOLS

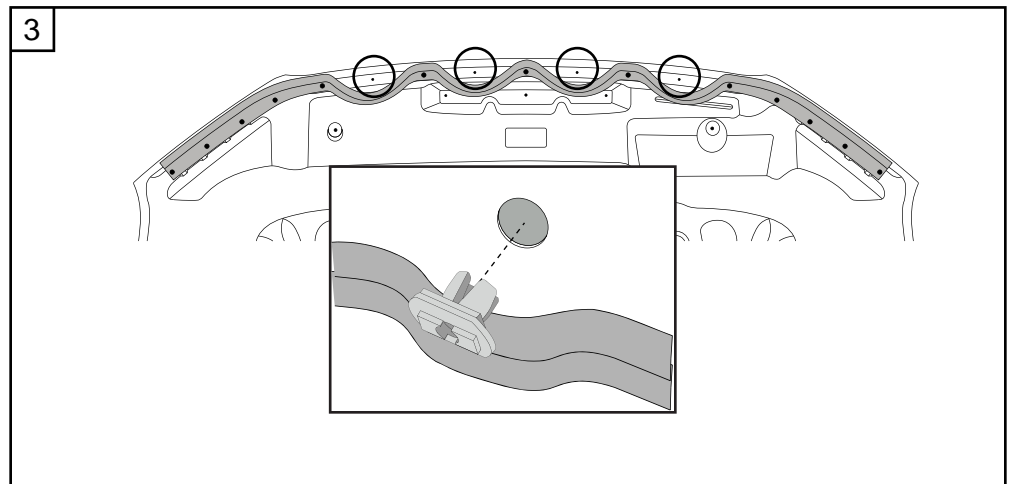
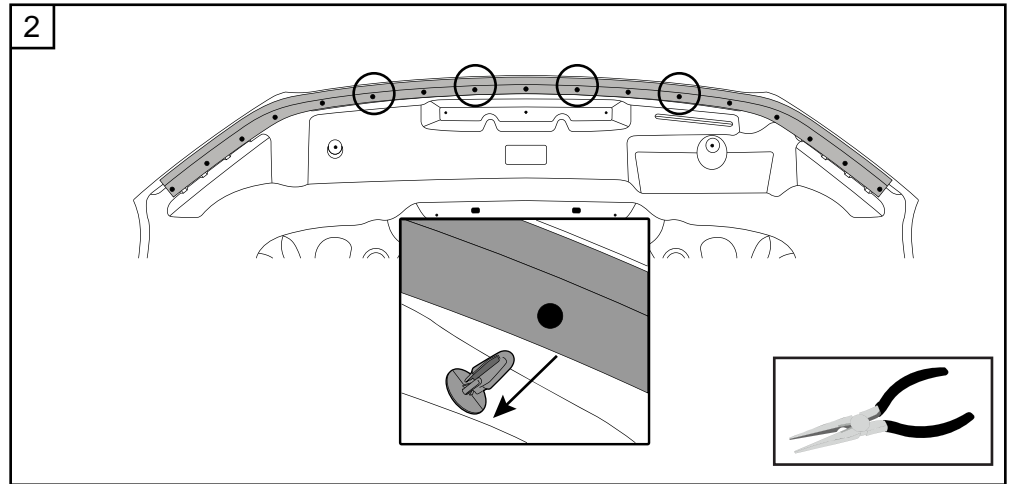
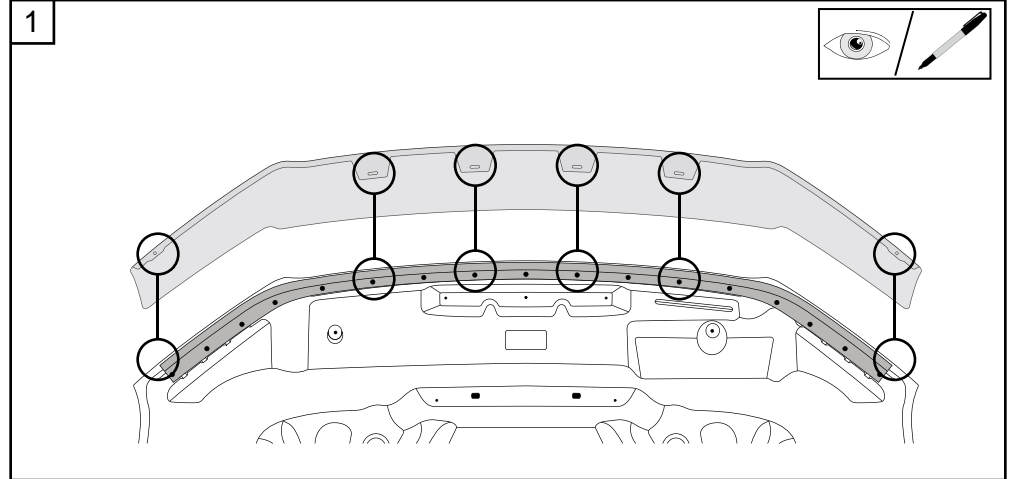
Cleaning Notes

- Spray with a firm water spray to remove any loose dirt.
- Wash with water, detergent and a soft cloth or sponge.
- Do not use petroleum based solvents or abrasives.

- 1• Wash the hood with a mild soap and water solution, then dry thoroughly. Open the hood. Trial fit the Hood Deflector centrally onto the hood. With a non-permanent marker, mark the positions of the four acrylic tag slots in the Hood Deflector onto the hood. Mark the positions of the two outer holes in the Hood Deflector and where they correspond with the hood. Remove the Hood Deflector.

- 2• Using pliers remove the four rubber trim retaining plugs and discard.

- 3• Pull the rubber trim forward and install the four screw plugs into the vacated holes in the hood.



EGR INSTALLATION INSTRUCTIONS

Tools Required



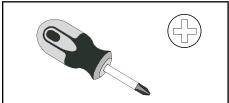
Clean Dry Cloth



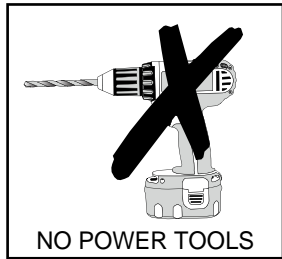
Soap & Water



Non-Permanent Marker



#2 Phillips Head Screwdriver



Cleaning Notes

- Spray with a firm water spray to remove any loose dirt.
- Wash with water, detergent and a soft cloth or sponge.
- Do not use petroleum based solvents or abrasives.

- 4• Install the Hood Deflector onto the hood ensuring that the collar of the screw plugs locate into and parallel with the slots in the Hood Deflector tags. Ensure rubber trim is sitting over the acrylic tags of the Hood Deflector.

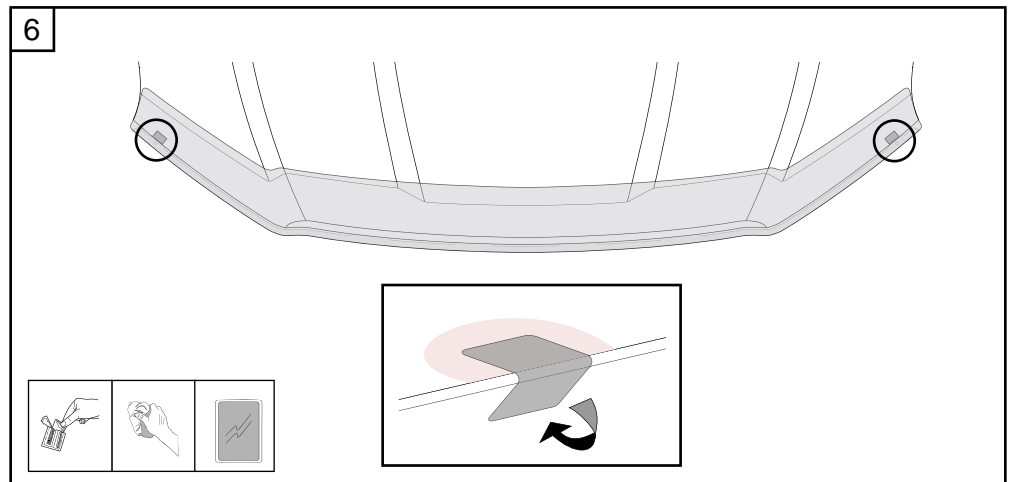
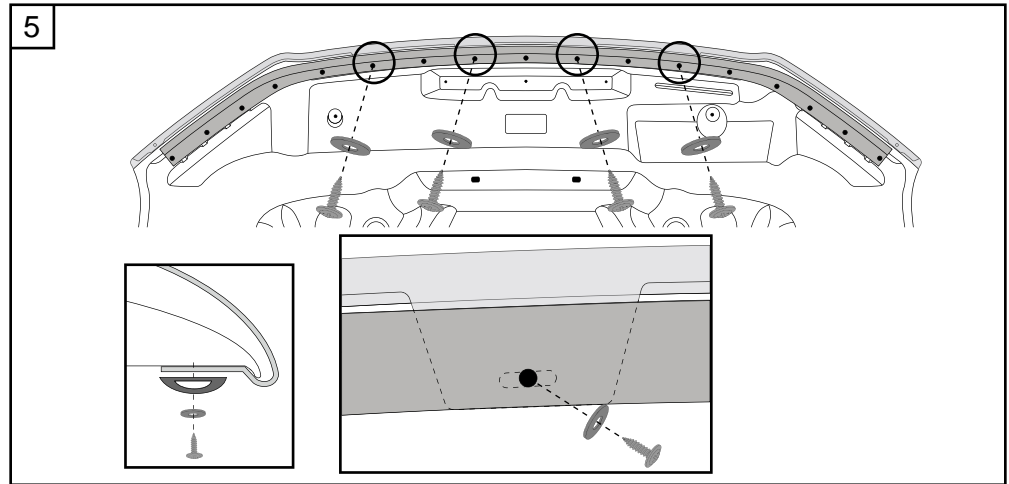
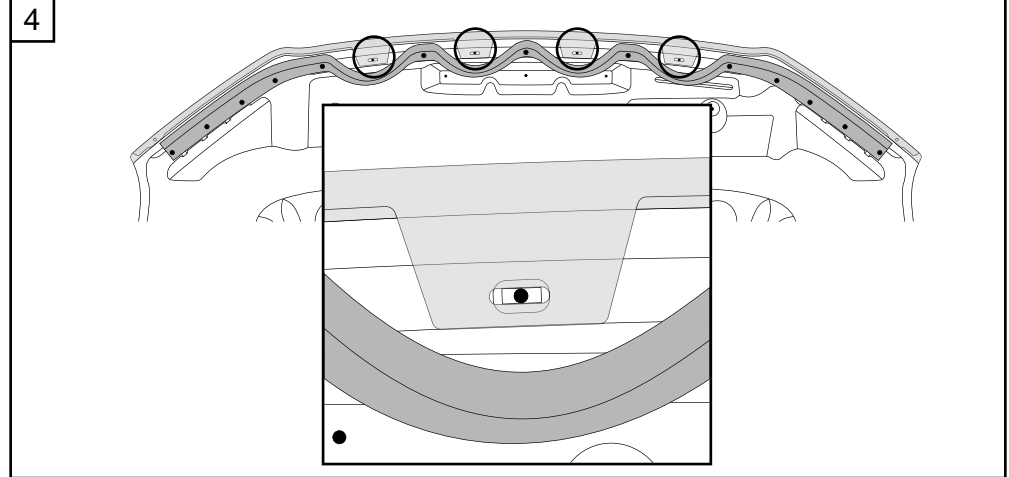
IMPORTANT: Rubber trim must be sitting over Hood Deflector tags.

- 5• While maintaining thumb pressure against the underside of the Hood Deflector, insert the large screws with the large washers through the rubber trim and into the screw plugs. Do not fully tighten yet. Ensure the Hood Deflector is centralised on hood then fully tighten screws.

IMPORTANT: Thumb pressure must be maintained on the Hood Deflector to prevent the screw plug from rotating. DO NOT OVER-TIGHTEN SCREWS. Rubber trim must be sitting over Hood Deflector acrylic tags.

- 6• Clean the two noted areas with alcohol prep pad provided. Wipe off any residue with a dry clean cloth. Adhere the abrasive resistant tape strips over the hood lip. Apply tape so approximately half of each strip is adhered to the topside and half is adhered to the underside of hood.

TO REMOVE: Reverse the above procedure.



EGR INSTALLATION INSTRUCTIONS

Tools Required



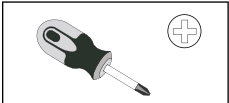
Clean Dry Cloth



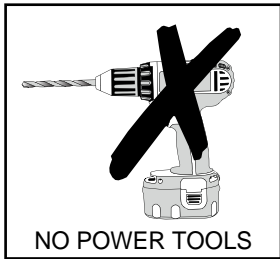
Soap & Water



Non-Permanent Marker



#2 Phillips Head Screwdriver



Cleaning Notes

- Spray with a firm water spray to remove any loose dirt.
- Wash with water, detergent and a soft cloth or sponge.
- Do not use petroleum based solvents or abrasives.

- 7• Attach the two foam washers to the face of the metal wing clips. Slide the metal wing clips over the abrasive resistant tape strips on the hood edge at the two previously noted outer positions.

IMPORTANT: Ensure the clips rest over the abrasive resistant tape and do not come in contact with hood paint work. Failure to do this may result in permanent paint damage.

- 8• Firmly secure the Hood Deflector to the two metal wing clips with the two small screws and two remaining fibre washer.

TO REMOVE: Reverse the above procedure.

