

IMPORTANT:

The manufacturer is not responsible for negligent use of vehicle with mud flaps installed, including over-tightening of screws and bolts causing damage to vehicle or mud flaps.

TOOLS REQUIRED:

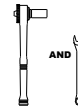


Electric or re-chargeable



5/16" socket driver

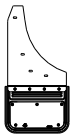
or



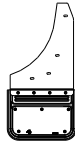
5/16" & 3/8" wrench
and socket set

KIT CONTAINS: PARTS BAG #755133

a) (1) Flap Assembly,
Rear, LH



b) (1) Flap Assembly
Rear, RH



c) (8) Screw, TEK
#10 x 1"
Part #010011

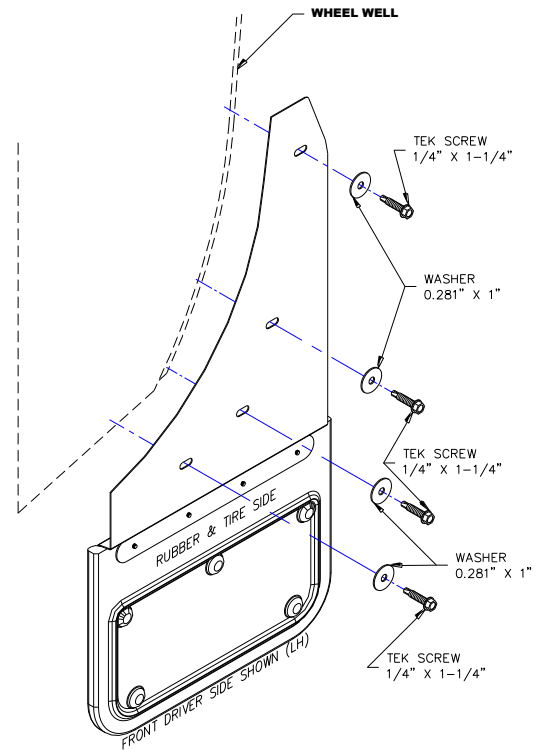
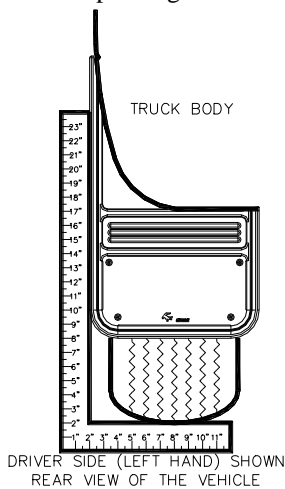


d) (8) Flat Washer
0.281" x 1.0"
Part #018028



INSTALLATION

1. Before you install your Mud Flap Set, see the Diagram and parts list for all necessary parts. Cut protective plastic and peel away from stainless steel. Start on the Driver's Side.
2. Hold the flap against the wheel well, at the recommended height, align straight and clamp into place.
3. Fasten the flap with 4 tek screws and washers into well lip.
4. Repeat procedure for the passenger side.



IMPORTANT

Manufacturer is not responsible for negligent use of vehicle with Mud Flaps installed, or over tightening of screws and bolts causing damage to vehicle or mud flaps.

