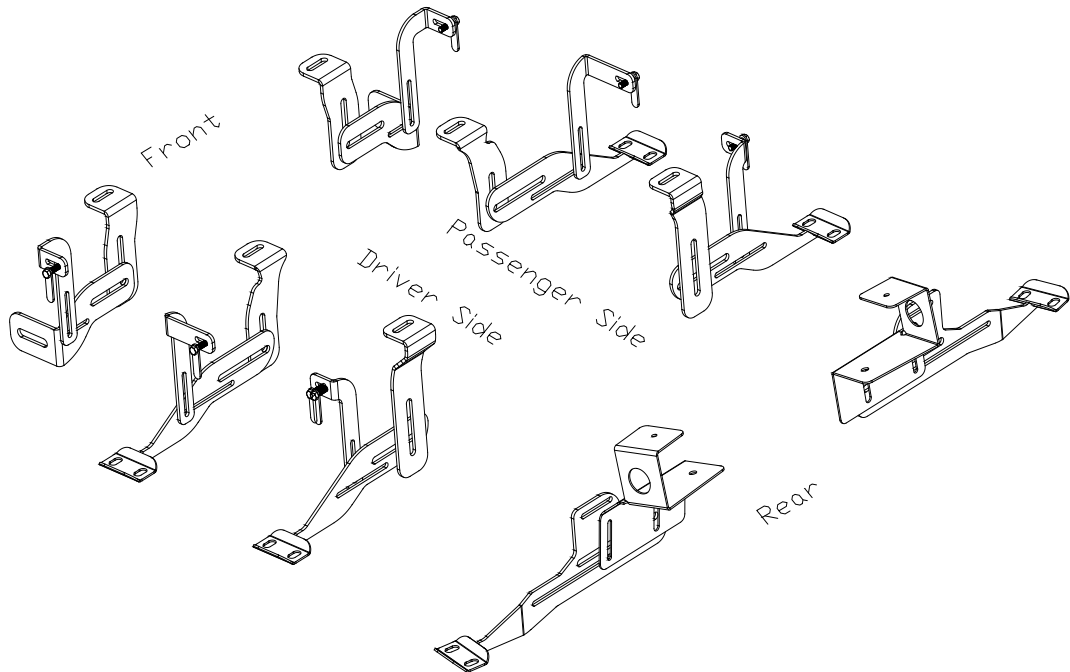




10-C, DODGE HD DUALY CREW CAB LB #760049

Qty.	Part#	Description	Qty.	Part#	Description
1	Assembled	Front Driver Side Bracket	2	018045	5/8" Flat Washer
1	Assembled	Front Passenger Side Bracket	20	018046	3/8" Flat Washer
1	Assembled	Middle Driver Side Bracket	2	018048	3/8" Flat Washer
1	Assembled	Middle Passenger Side Bracket	2	024003	5/8" Lock Washer
1	Assembled	Middle Rear Driver Side Bracket	20	024006	3/8" Lock Washer
1	Assembled	Middle Rear Passenger Side Bracket	2	024007	1/2" Lock Washer
1	Assembled	Rear Driver Side Bracket	8	025015	3/8" Hex Nut
1	Assembled	Rear Passenger Side Bracket	2	025016	1/2" Hex Nut
12	014012	3/8" x 1-1/2" Cap Screw	20, 25'	080407	Bulb Seal Push-On
2	014021	5/8" x 2" Cap Screw	2	760552	Washer, 2" DIA, Flat Side, 0.54"
2	014025	1/2" x 1-1/2" Carriage Bolt	6	762236	3/8" x 1-1/2" T-bolt
2	014038	3/8"x 1" Cap Screw			



Note: Start on Driver Side
Remove the tab from the rear mount to install the bracket

10-12 Dodge HD CrewCab LB Dually

Step 1: Remove front cab mount bolt and install pre-assembled bracket loosely with the factory bolt. Watch out for bracket orientation. Set up the front bracket support strap using #762236 T-Bolt with #018046 3/8" flat washer, #024006 3/8" lock washer and #025015 3/8" hex nut.

Step 2: Repeat process for rear bracket.

Step 3: Lay pre-assembled board on the rear bracket. Make sure board will not fall down. You should might use also a jack to avoid board from falling down. Line board up with the front bracket and set up #014021 5/8" cap screw with #018045 flat washer and #024003 5/8" lock washer. Do not tighten up the bolts, you need to level the board later.

Step 4: Remove any plastic wrap around bracket saddles.

Step 5: Use #014012 3/8" cap screw with #018046 flat washer and #024006 lock washer to install board to rear bracket loosely.

Step 6: Remove middle cab mount bolt and install middle bracket with factory bolt loosely. Install board to bracket like you did with the rear bracket. Set up the middle bracket support strap using #028005 5/16" spring nut with #014022 5/16" cap screw and #024002 5/16" lock washer.

Step 7: Level board to Cab and tighten up the 4x #014012 cap screws. Secure all other bolts now.

Step 8: Repeat for Passenger Side.