



GATORBACK

MUDFLAPS

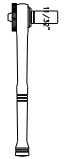
2017-22, Ford F-250/F-350, Single Rear Wheel

Rear Mount Bracket Mounting Diagram & Instructions

IMPORTANT:

The manufacturer is not responsible for negligent use of vehicle with mud flaps installed, including over-tightening of screws and bolts causing damage to vehicle or mud flaps.

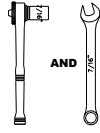
TOOLS REQUIRED:



OR

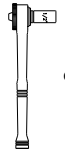


10mm open or
socket wrench



AND

7/16" open and
socket wrench



OR



5/16" open or
socket wrench



Push Pin
Removal Tool



#2 Robertson
Screwdriver
(truck w/o Flare only)



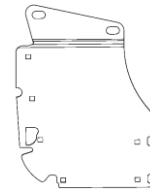
Awl/Pick
(truck w/ OE Liners)

BRACKETS

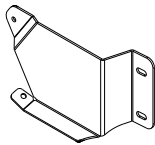
(1) Mount Bracket,
Rear, DS
Part # 759828



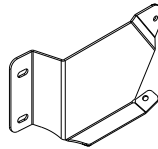
(1) Mount Bracket
Rear, PS
Part # 759829



(1) Brace
Rear, DS
Part # 759830



(1) Brace
Rear, PS
Part # 759831



(2) Strip Washer
Rear
Part # 759832



Used for Rubber
Mud Flap
Installations Only.

PARTS BAG #759854

a) (10) Capscrew, Zinc Plt
1/4" - 20UNC x 3/4"
Part #014030



b) (12) Screw, Sheet Metal
SS, #12-11x1-1/2" HWH
Part # 010045



c) (10) Nut, Hex
Zinc, 1/4" - 20UNC
Part # 025021



d) (13) Nut, Expansion
Nylon, Natural #12
Part #054059



e) (22) Washer, Flat
Alum., 0.281" x 1"
Part #018052



f) (12) Washer, Flat
SS, 0.281" x 1"
Part # 018028

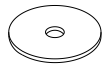


g) (2) Flange Nut
Serrated, M6
Part # 025025



Used for Trucks
with Flares only.

h) (8) Washer, Nylon
1" OD x 0.318" ID
Part # 054061



i) (10) Washer, Lock
Zinc, 1/4" Helicoil Spring
Part # 024009



j) (2) Nylon Space
1/2", ID 1/4"
Part #054063



k) (2) Screw Mach.
M6-1x35mm, Hex
Part #012028



FOR USE WITH BRACKET ON APPLICATION WITHOUT FLARES

l) (4) Screw, Sheet Metal
SS, #10-12x1-1/4", SD
Part # 010017



m) (4) Nylon Washer
0.375 OD x .188 ID
Part # 054041



n) (2) Washer Plate
Rear
Part #759827



Installation:

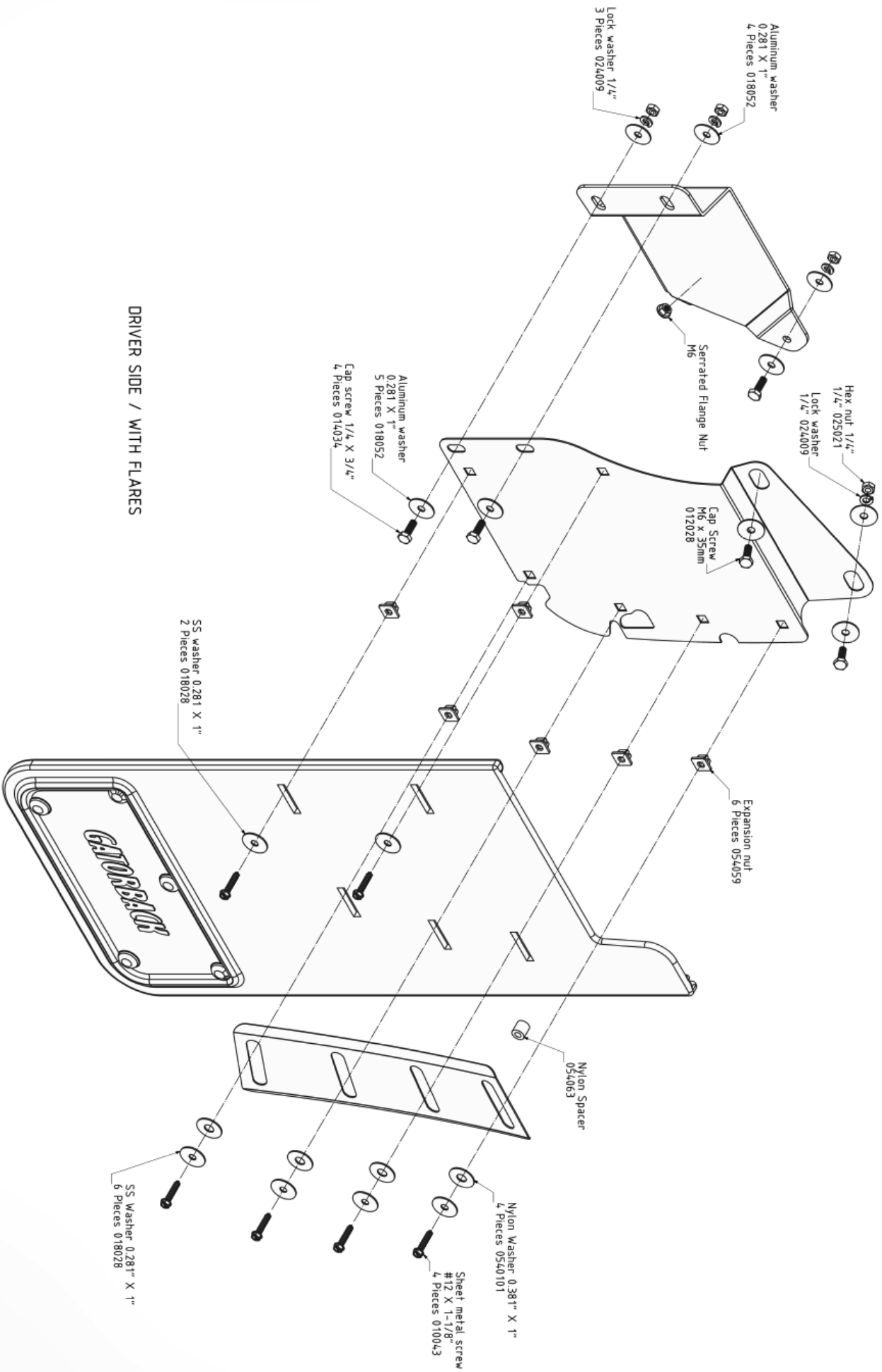
1. Install the 6 nylon expansion nuts, #054059, into the mount bracket. Make sure all nuts are seated properly.
2. If your truck does not have a factory wheel well liner you can remove the upper factory bolt and skip to step 9.
3. The factory liner needs to be loosened to access factory bolt.
4. Remove factory push pin on edge of fender.
5. Remove lower liner bolt and factory expansion nut.
6. The liner should be loose enough to get access to the upper factory bolt which must be removed.
7. Use an awl or sharp pick to make a hole in factory liner where the upper bolt was located.
8. Use 3/8" drill bit to enlarge hole in the liner.
9. If your truck has factory flares you can skip to step 12.
10. Remove factory push pins on bottom of the fender edge.
11. Loosely install washer plate #759827 behind fender lip using #10 sheet metal screws, #010017, and nylon washers, #054061.
12. Install 1/4" capscrew, #014034, in OEM hole at bottom edge of the box behind the fender bracing and install brace, on non-flare truck.
13. On truck with flares place bracket over OEM bolt and u-nut. Attach with M6 serrated flange nut, #025025.
14. The top of the rear brace is now secured with a 1/4" capscrew through a factory hole in inner wheel well.
15. If your truck does not have flares, slide the mount bracket between the fender lip and the washer plate.
16. If your truck has flares, slide the mount bracket between flare and fender lip.
17. If your truck does not have factory liner, reinstall upper factory bolt.
18. If your truck has factory liner, use supplied machine screw, #010017 and washer, #054041 to attach mount bracket at the factory hole.
19. Use supplied bolts to attach rear brace to mount bracket.
20. All existing fasteners can now be tightened.
21. Attach mud flap to bracket, starting with the inside fasteners. On top screw position, use nylon spacer #054041 to fill void between mount bracket and strip washer. Move nylon spacer to desired location to distribute pressure on strip washer evenly on mud flap.
22. Position strip washer, #759832, over top of flap and attach outside fasteners
23. Make sure flap is mounted in the desired position and then hand tighten all the bolts

✓ **Check all fasteners for tightness. Repeat procedure on the passenger side.**

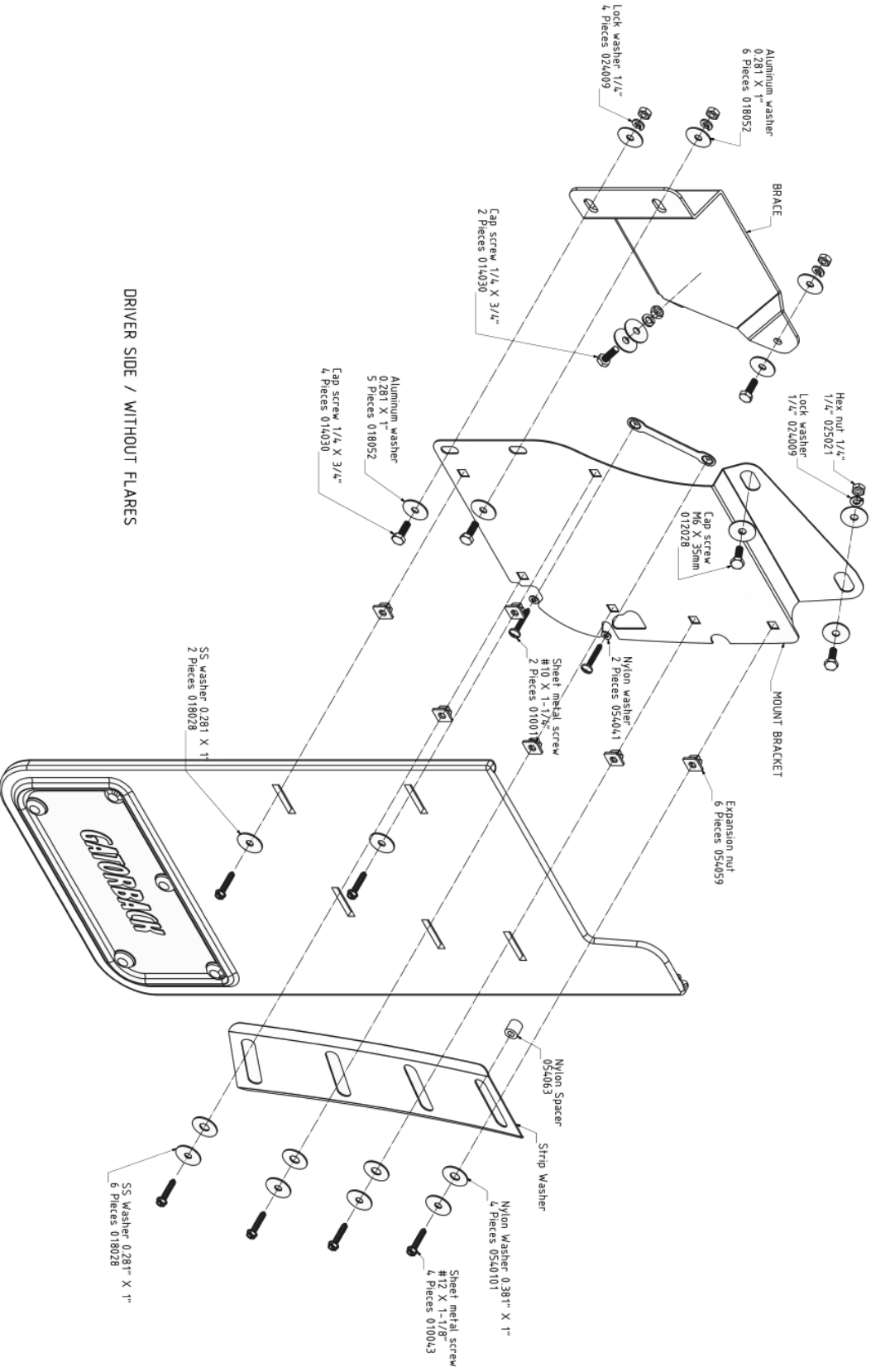
Please check out our YouTube channel to see an install video for this application.



Installation Instructions for Trucks with Flare with Optional Rubber



Installation Instructions for Trucks without Flare with Optional Rubber



DRIVER SIDE / WITHOUT FLARES