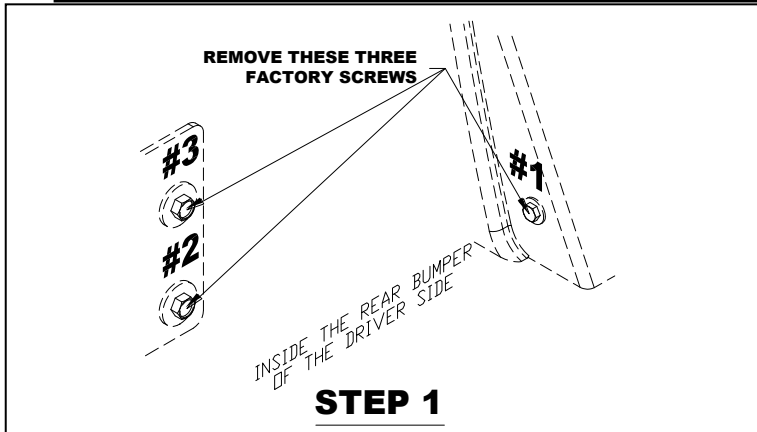


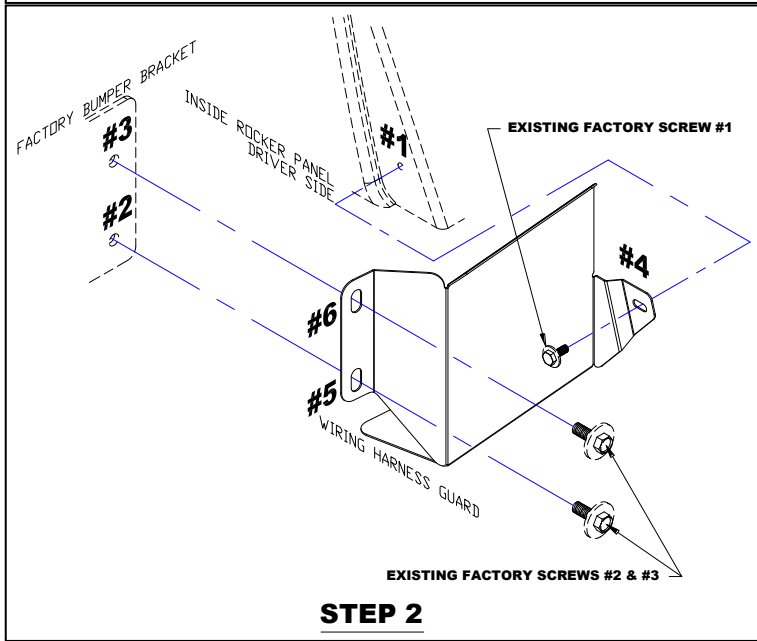
**IMPORTANT:**

**Manufacturer is not responsible for negligent use of vehicle with Filler Panel installed, including over-tightening of screws and bolts causing damage to vehicle or filler panel.**

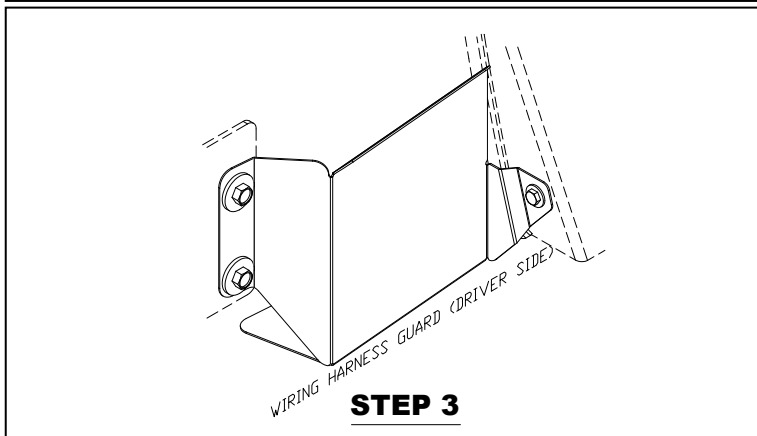


Step 1: Remove the three factory screws on holes #1 to #3.

Note: If there is no screw in factory hole #1, it can be removed from the same location on the passenger side.



Step 2: Loosely install factory screw through guard hole #4 into factory hole #1, then install factory screws through guard holes #5 & #6 into factory holes #2 & #3.



Step 3: Tighten all fasteners.