



2021 Ford F-150 Mud Flap Set, Front Mounting Diagram & Instructions

IMPORTANT:

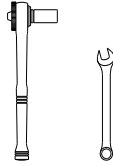
Manufacturer is not responsible for negligent use of vehicle with mud flaps installed, including over-tightening of screws and bolts causing damage to vehicle or mud flaps.



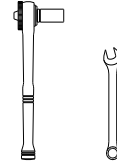
TOOLS REQUIRED-



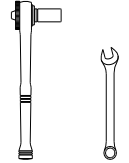
Push Pin
Removal Tool



7/16" Open Wrench
and Socket Wrench

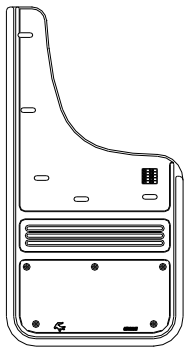


1/4" Open Wrench
or Socket Wrench

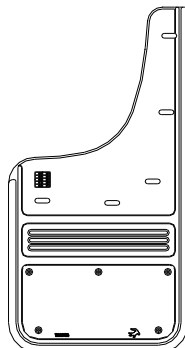


10mm Open Wrench
or Socket Wrench

FLAPS AND BRACKETS

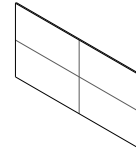


(1) Flap
Front, DS

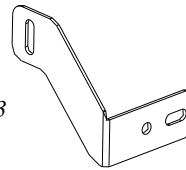


(1) Flap
Front, PS

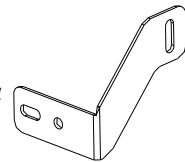
(1) Protective Tape
Part #769914



(1) Bracket
Front, DS
Part #769803



(1) Bracket
Front, PS
Part #769804



PARTS BAG # 769808

a) (4) Capscrew, Blk Oxid.
SS, 1/4"-20UNC x 3/8"
Part #014069



b) (2) Capscrew, Blk Oxid.
SS, 1/4"-20UNC x 1"
Part #014073



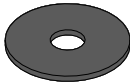
c) (2) Capscrew, Blk
SS, 1/4"-20UNC x 1.5
Part #014074



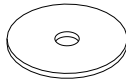
d) (4) Screw, Sht Mtl.
#8-18 x 1" Blk Ox.
Part #016055



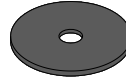
e) (6) Washer, Flat,
1"OD, SS, Blk Ox.
Part #018069



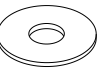
f) (2) Washer, Flat
0.281" x 1" SS
Part #018068



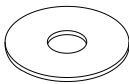
g) (4) Washer, Flat
0.203" x 1" Blk Ox.
Part #018070



h) (4) Washer, Flat
0.281" x 0.781", SS
Part #018088



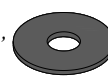
i) (4) Washer, Nylon
0.318" x 1" x 0.04"
Part #054061



j) (2) Washer, Nylon
0.265" x 0.625" x .06"
Part #054071



k) (4) Washer, Nylon
0.281" x 0.885" x 0.062"
Part #054089



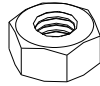
l) (2) Washer, Half
5/16" x 1" x 1/4" HDPE
Part # 054090



m) (6) Washer, lock
1/4" » Helicoil, SS
Part #024000



n) (4) Hex Nut
1/4"-20, SS
Part #025000



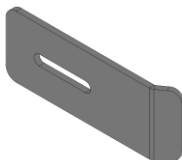
p) (2) Hex Nut
M6-1, SS
Part #025022



q) (4) Spring Nut
1/4"-20UNC, 0.84" Reach
Part #028010

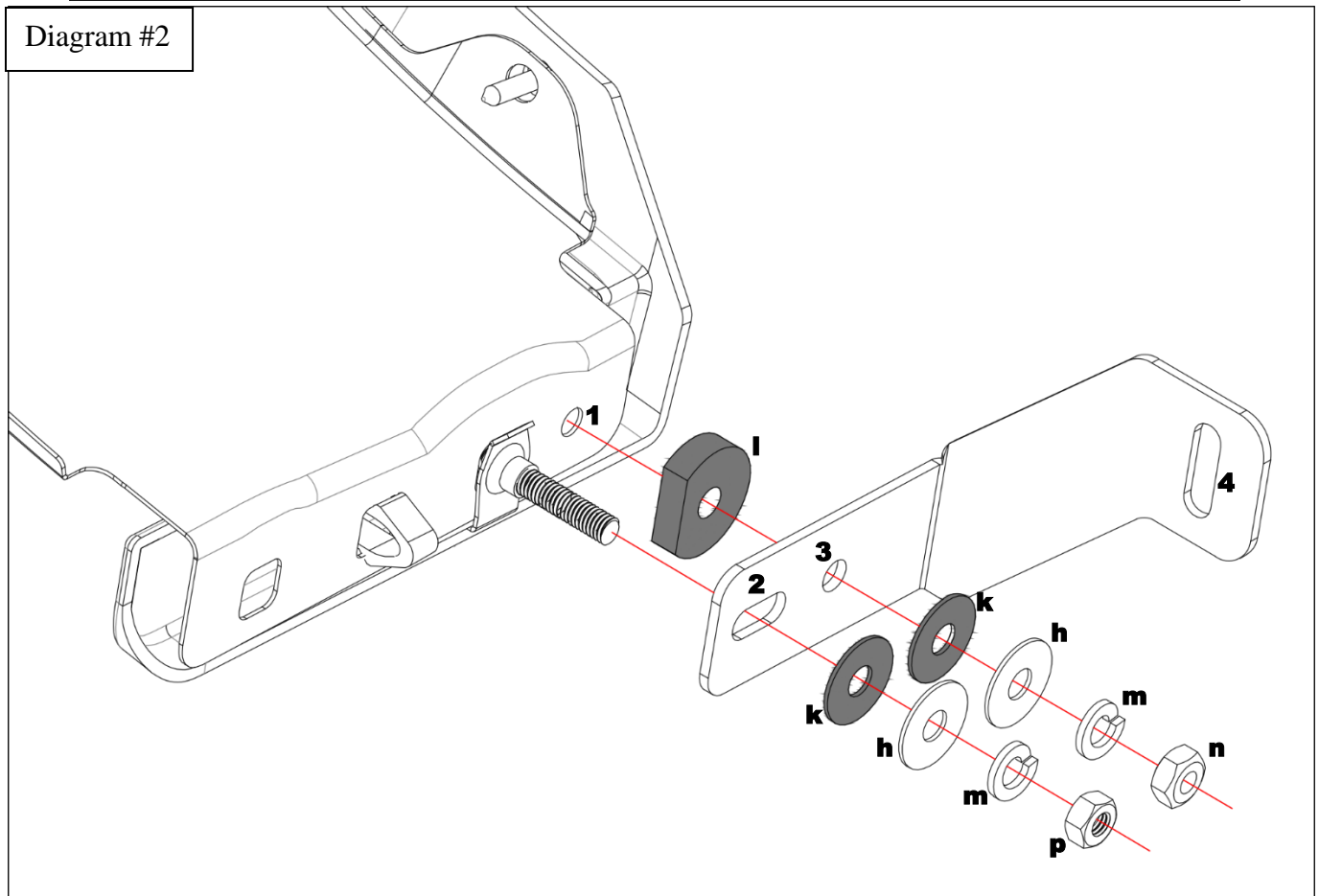
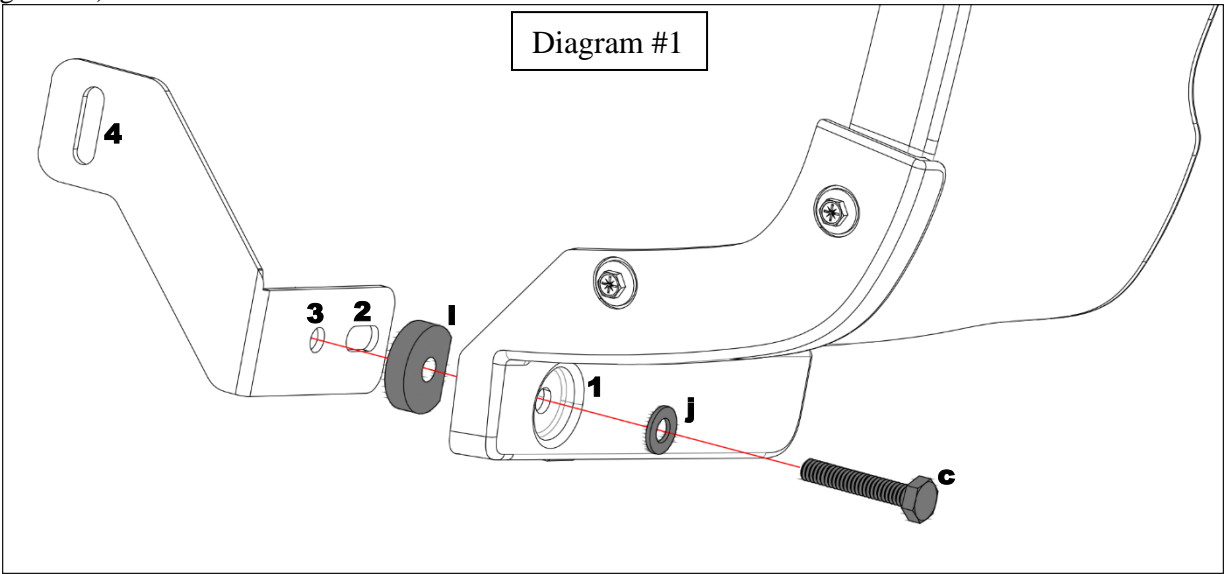


r) (2) "J" Washer Strip
Universal
Part #769802

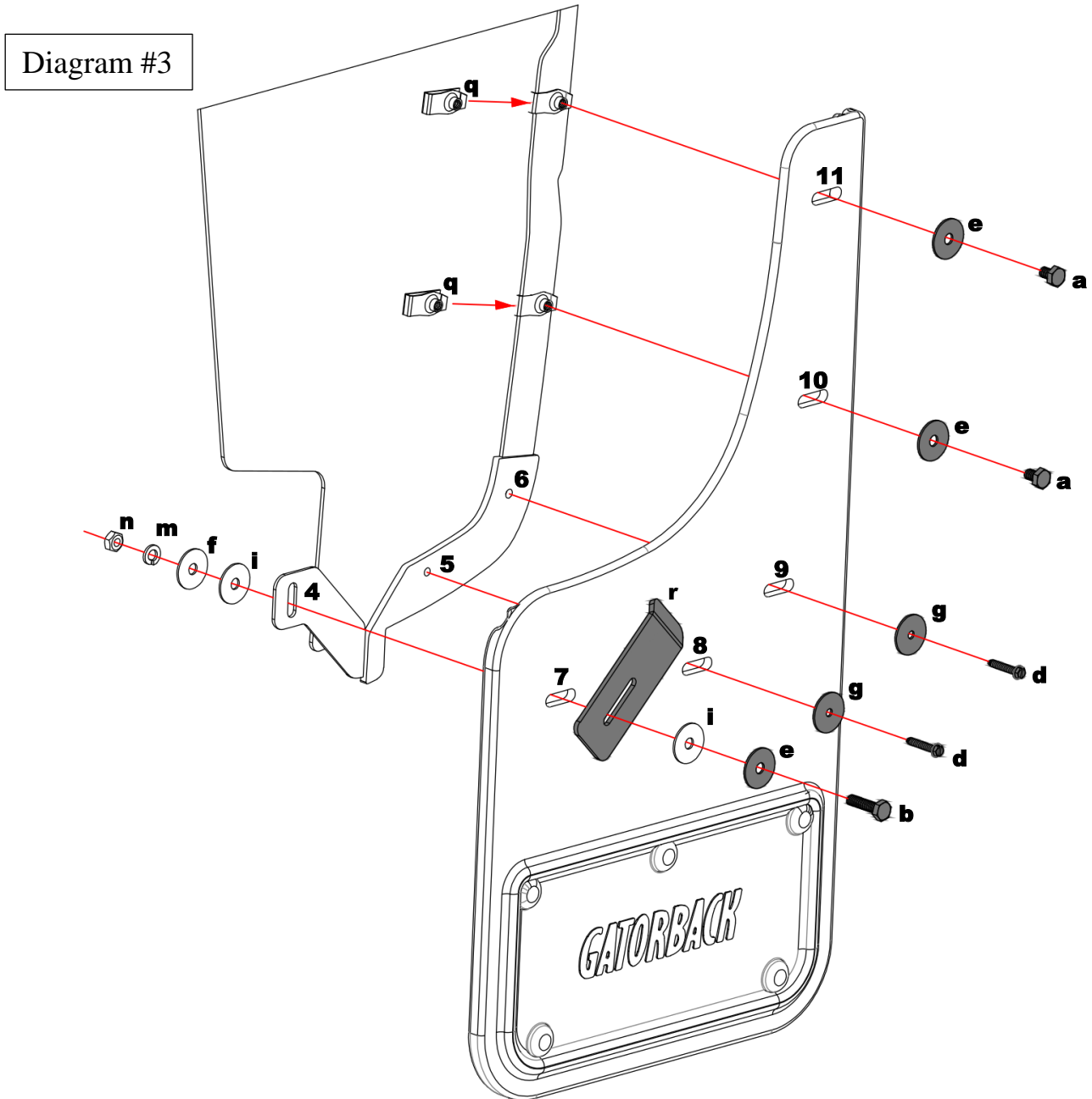


INSTALLATION *(For ease of installation it is suggested that the wheel be removed)*

1. Before you install your Mud Flap Set, see the diagram and parts list for all necessary parts.
2. Remove the two factory screws from the factory guard in the wheel well.
3. Remove the push pin from the underside of the guard. This push pin is holding the portion of the guard protecting the push pin. It may be difficult to remove from the side facing you. We suggest going between the guard and the pinch weld to separate them so that you can push out the push pin from behind.
4. Once the push pin is removed, reinstall the guard into position with the existing tab.
5. Install capscrew (c) through a nylon washer (j) into factory hole #1 and insert a half washer (l) and the bracket hole #3 onto the protruding part of the screw, ensuring that bracket hole #2 is installed on factory bolt (see Diagrams #1 & #2).
6. Secure bracket hole #2 to factory bolt using a nylon washer (k), flat washer (h), lock washer (m), and M6-1 hex nut (p) (See Diagram #2).
7. Secure bracket hole #3 to capscrew (c) using a nylon washer (k), flat washer (h), lock washer (m), and hex nut (n) (See Diagram #2).



7. Secure mud flap holes #8 & #9 to factory holes #5 & #6 using a sheet metal screw (d) and flat washer (g).
8. Install mud flap hole #7 to bracket hole #7 using a capscrew (b), flat washer (e), nylon washer (i) and washer strip (r), and secure with a nylon washer (i), flat washer (f), lock washer (m) and hex nut (n).
- **Note**** Be sure to install the washer strip at approximately the 2:00 position so that it is putting pressure on the upper section to prevent debris from falling behind the mudflap (See Diagram #3 for washer strip position).
9. Using a square or bubble level, ensure that the mud flap is level. Tighten all fasteners.
10. Clean upper section of the wheel well with alcohol to prepare for protective tape.
11. Hold the upper section of the mud flap tight against the wheel well. Using a marker, make a small mark on the fender through mudflap holes #10 & #11 to determine where to install the spring nuts (q).
12. Pull the mudflap away from the fender and install/center the 3M tape protectors where you have marked your spring nuts (q) to be installed.
13. Install the spring nuts (q) with the extruding end facing out over the 3M tape protectors.
14. Secure mudflap holes #10 & #11 to spring nuts (q) using a capscrew (a) and flat washer (e)



Please check out our YouTube channel to see an install video for this application.





Gatorback Mud Flaps by Truck Hardware Ltd.

LIMITED WARRANTY

All Ford part numbers provided by Truck Hardware Ltd. are warranted to be free from defects in materials or workmanship on products properly installed per the installation instructions provided with the product. This warranty covers repair or replacement of any defective product at no charge during the applicable warranty period listed below. Labor for replacement or service of defective product is not paid or reimbursed by Truck Hardware Ltd.

WARRANTY PERIOD		
	USA	Outside USA
Product which appears on New Vehicle Monroney Label (window sticker)	Coverage which matches new vehicle warranty---Ford - 3 years or 36,000 miles whichever comes first; Lincoln 4 years or 50,000 miles whichever comes first	Coverage which matches new vehicle warranty ---Ford - 3 years or 60,000 kilometers whichever comes first; Lincoln 4 years or 80,000 km whichever comes first
Part purchased and installed during or after the original vehicle warranty	Whichever of the following options provides the greater benefit to the customer: 1) 2 years / unlimited miles or 2) The remainder of the new vehicle warranty	Whichever of the following options provides the greater benefit to the customer: 1) 2 years / unlimited kilometers or 2) The remainder of the new vehicle warranty

This limited warranty does not cover any damage, defect or malfunction caused by misuse, abuse, accident, improper installation, modification or improper or lack of maintenance. Incidental and consequential damages are not recoverable under this warranty. This warranty offers you specific legal rights. You may have additional or other rights as which vary from state to state or province to province.

If you experience a warranty issue with this product please visit your Ford dealer. If the repair is covered by the warranty above and completed by the dealership, labor is also covered by Ford -- Ford Warranty and Policy – Section 3.

Please note that Truck Hardware Ltd. has replacement component parts available to assist consumers and dealers to resolve warranty and non-warranty issues as quickly as possible.

Note to dealer:

Ford dealers should contact Truck Hardware Ltd. by phone at 1-800-661-8208 and ask to speak to the warranty administrator or by email to: info@truckhardware.ca.