

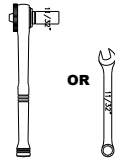
### IMPORTANT:

**The manufacturer is not responsible for negligent use of vehicle with mud flaps installed, including over-tightening of screws and bolts causing damage to vehicle or mud flaps.**

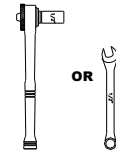
### TOOLS REQUIRED:



#2 Phillips screwdriver

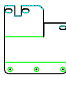
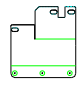



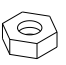
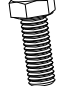
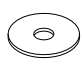



1 1/2" wrench or socket wrench



1/2" wrench or socket wrench

### KIT CONTAINS: PARTS BAG #755529

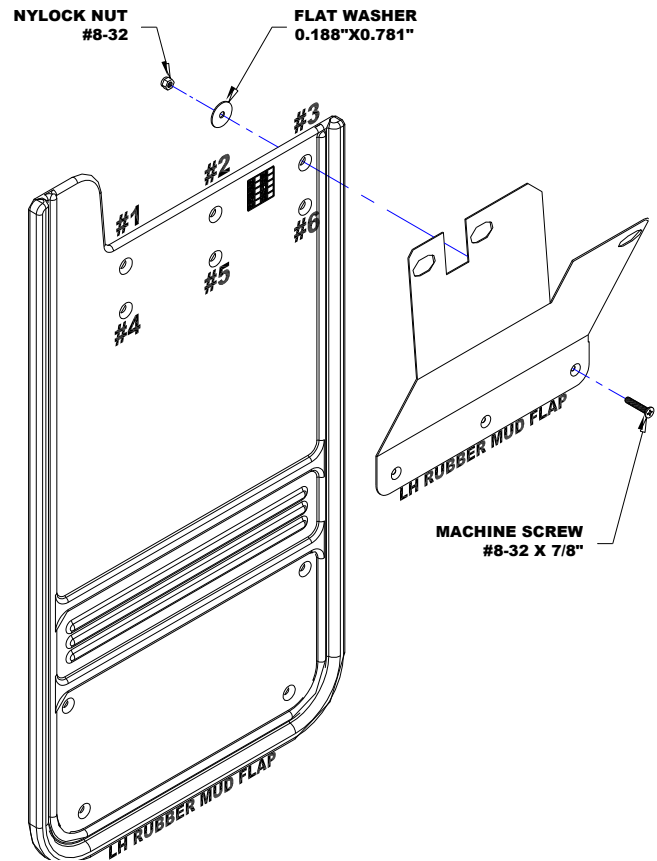
- |  |  |   |  |  |
|--|--|---|--|--|
| <p>a) (1) Mount Bracket, Rear, LH<br/>Part #755109</p>  | <p>b) (1) Mount Bracket, Rear, RH<br/>Part #755110</p>  | <p>c) (6) Machine Screw, SS #8-32 x 7/8"<br/>Part #012025</p>  | <p>d) (6) Flat Washer 0.188" x 0.781"<br/>Part #018018</p>  | <p>e) (6) Nylock Nut SS #8-32<br/>Part #025005</p>  |
| <p>f) (4) 3/8 Hex Nut PLTD<br/>Part # 025015</p>        | <p>g) (4) Capscrew 3/8<br/>Part # 014042</p>            | <p>h) (10) Washer 3/8 Flat<br/>Part # 018049</p>              | <p>i) (4) Lock Washer, 3/8" Helicoil<br/>Part # 24006</p>   |  |

### INSTALLATION

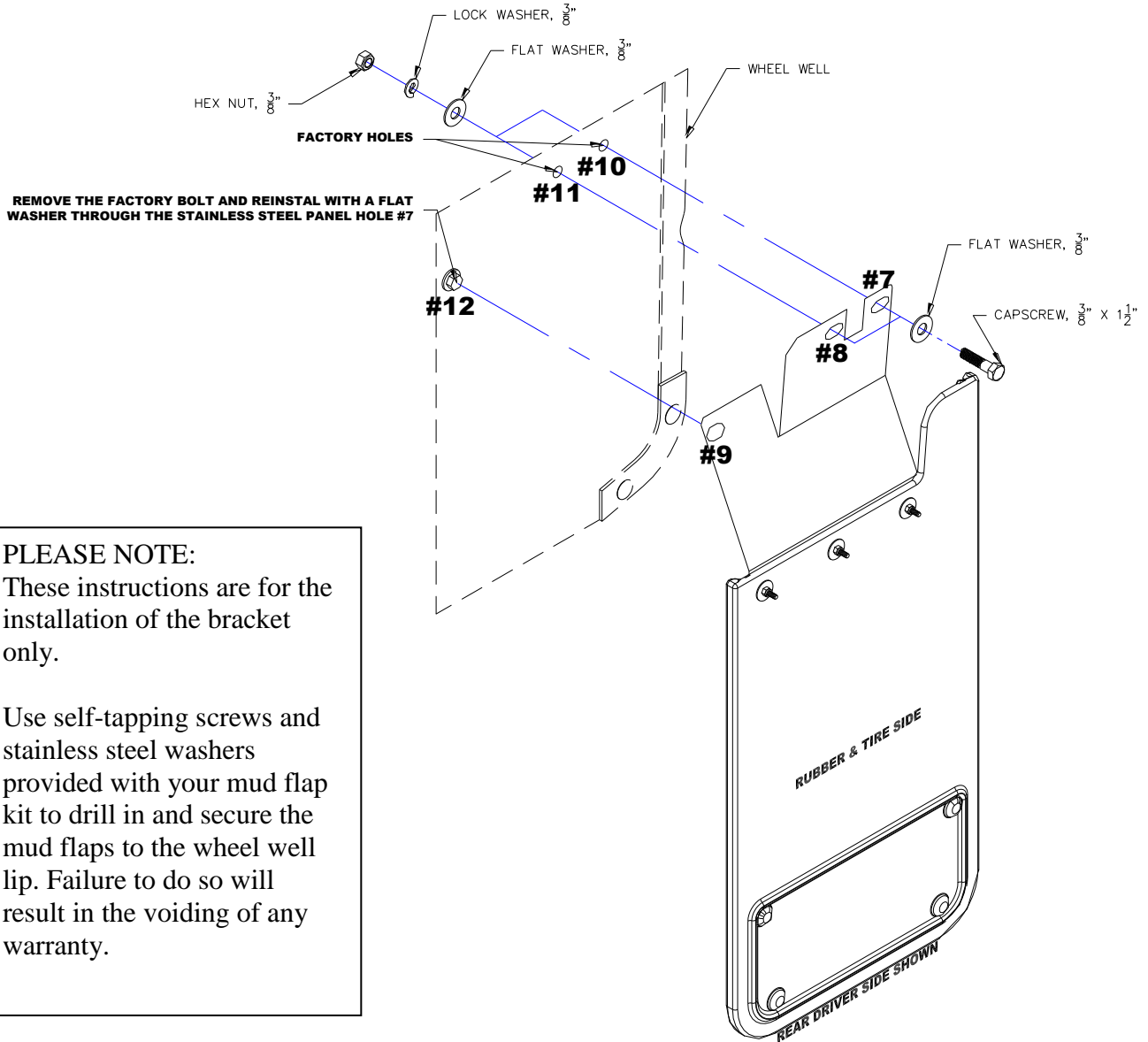
For ease of installation, it is suggested that the wheel be removed.

- Fasten the LH mount bracket to the left hand flap with 3 machine Screws, small washers and nylock nuts to holes #1, #2 and #3 or if you prefer the flap mounted higher and farther away from the ground then use holes #4, #5 and #6. See Diagram #1.
- Remove the 3 factory body bolts and rod bracket. Reinstall with the same orientation through the LH mount bracket Holes #7, #8 and #9 with the LH mount bracket facing the rear of the vehicle. Loosely secure at this point.
- Loosely secure the upper part of the flap with two 3/8" capscrews, four 3/8" flat washers two 3/8" lock washers & two 3/8" hex nuts on holes #7 & #8 through the factory body holes #10 & #11. See Diagram #2

Diagram #1



## Diagram #2



### PLEASE NOTE:

These instructions are for the installation of the bracket only.

Use self-tapping screws and stainless steel washers provided with your mud flap kit to drill in and secure the mud flaps to the wheel well lip. Failure to do so will result in the voiding of any warranty.

Check all fasteners for tightness. Repeat procedure on the passenger side.