



GATORGEAR

NERF BOARD



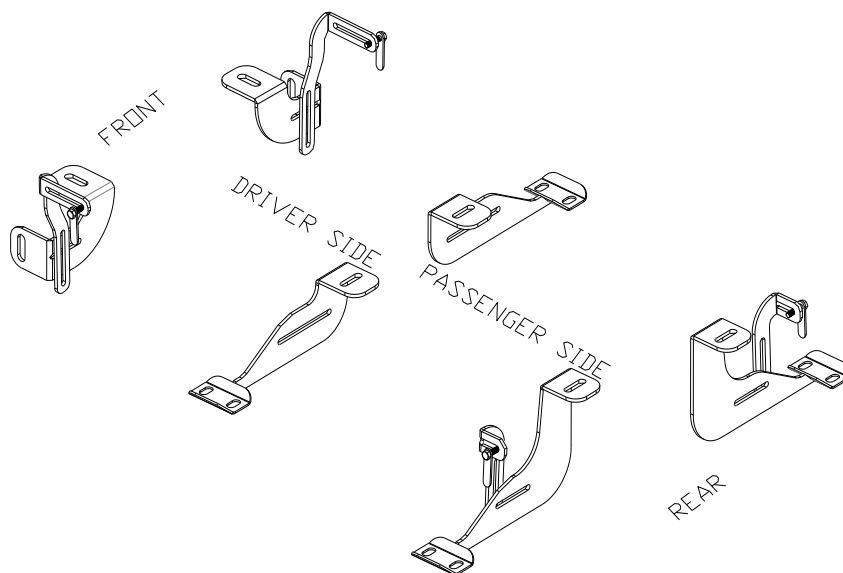
Carton 1 of 2 - Front & Rear Tube Assembly
#760821 & 760822

Carton 2 of 2 - Bracket and Fastener Kit
#760831

2014, CHEVY 1500 SILVERADO CREW CAB SB 6.6 FT BOX #760066

Qty.	Part#	Description	Qty.	Part#	Description
1	Assembled	Front Driver Side Bracket	2	018045	5/8" Flat Washer
1	Assembled	Front Passenger Side Bracket	12	018046	3/8" Flat Washer
1	Assembled	Middle Driver Side Bracket	2	024003	5/8" Lock Washer
1	Assembled	Middle Passenger Side Bracket	12	024006	3/8" Lock Washer
1	Assembled	Rear Driver Side Bracket	4	025015	3/8" Hex Nut
1	Assembled	Rear Passenger Side Bracket	18.5'	080407	Bulb Seal Push-On
8	014012	3/8" x 1-1/2" Cap Screw	4	762236	3/8" x 1-1/2" T-bolt
2	014021	5/8" x 2" Cap Screw			

CHEVY Crew Cab SB Adjustable Mount



Note: Start on Driver Side

Step 1: Remove front cab mount bolt and install pre-assembled bracket loosely with the factory bolt. Watch out for bracket orientation. Set up the front bracket support strap using #762236 T-Bolt with #018046 3/8" flat washer, #024006 3/8" lock washer and #025015 3/8" hex nut.

Step 2: Repeat process for rear bracket.

Step 3: Lay pre-assembled board on the rear bracket. Make sure board will not fall down. You should use also a jack to avoid board from falling down. Line board up with the front bracket and set up #014021 5/8" cap screw with #018045 flat washer and #024003 5/8" lock washer. Do not tighten up the bolts, you need to level the board later.

Step 4: Remove any plastic wrap around bracket saddles.

Step 5: Use #014012 3/8" cap screw with #018046 flat washer and #024006 lock washer to install board to rear bracket loosely.

Step 6: Remove middle cab mount bolt and install middle bracket with factory bolt loosely. Install board to bracket like you did with the rear bracket

Step 7: Level board to Cab and tighten up the 4x #014012 cap screws. Secure all other bolts now.

Step 8: Repeat for Passenger Side.