

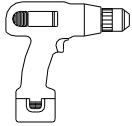


2014-2018 CHEV Rear Mounting Brackets Mounting Diagram & Instructions GB766385

IMPORTANT:

Manufacturer is not responsible for negligent use of vehicle with mud flaps installed, including over-tightening of screws and bolts causing damage to vehicle or mud flaps.

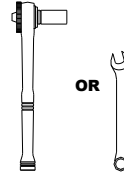
TOOLS REQUIRED:



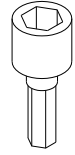
Electric or Rechargeable
1/2" or 3/8" Drill



#15 Torque
Screwdriver



7/16" Open Wrench
or Socket Wrench



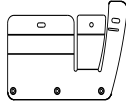
3/8" Socket Driver

KIT CONTAINS: PARTS BAG #766395

a) (1) Upper Mount
Rear, DS
Part #766387



b) (1) Upper Mount
Rear, PS
Part #766388



c) (6) Machine Screw
#8-32 x 0.625"
Part #012034



d) (6) Flat Washer
0.188" x 0.781"
Part #018018



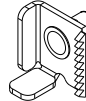
e) (6) Nylock Nut
#8-32
Part #025005



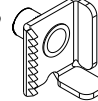
f) (2) Flat Washer
0.281" x 1"
Part #018028



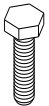
g) (1) Mount Clip
DS, Clinch Nut
Part #769306



h) (1) Mount Clip
PS, Clinch Nut
Part #769307

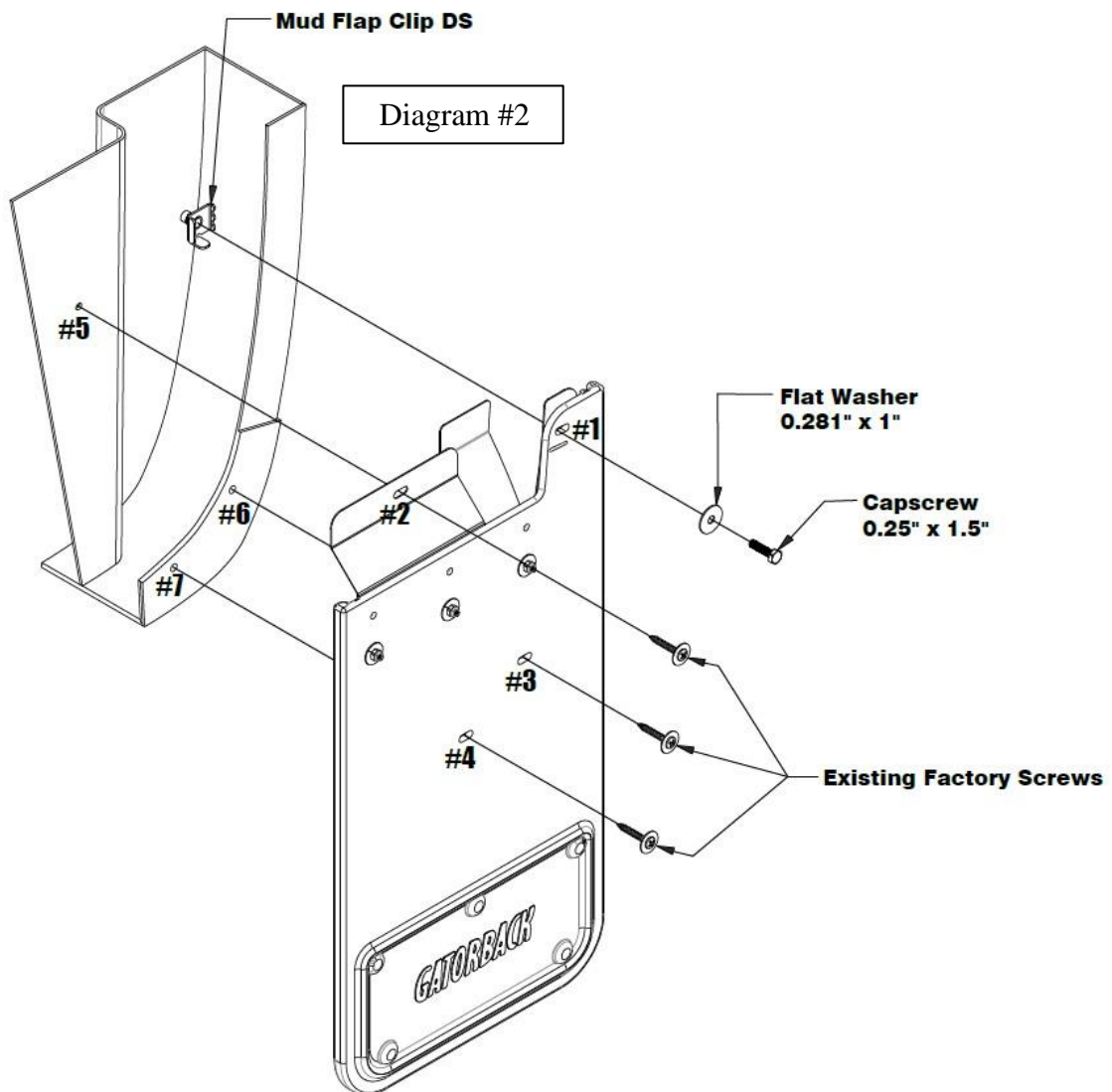
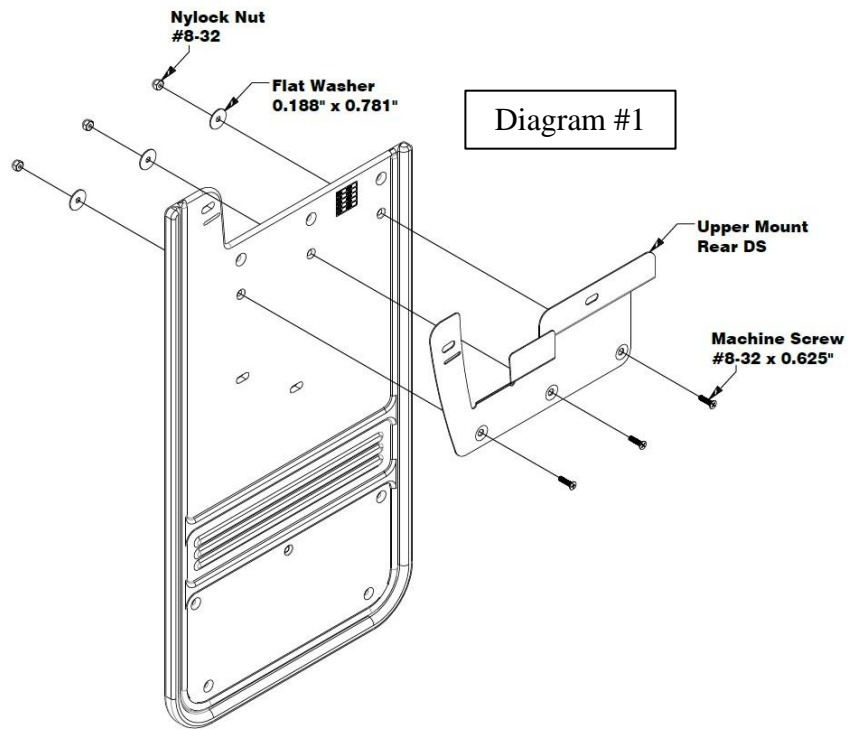


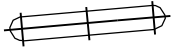
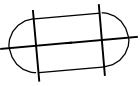
i) (2) Capscrew
0.25"-20 x 1.5"
Part #014066



INSTALLATION:

1. Before you install your mud flap set, see the diagram, templates, and parts list for all necessary parts.
2. Place template onto mud flap, ensuring that holes #1 & #2 are aligned with the dimples on the rubber (as shown on diagram on template). Cut the slotted holes into the rubber.
3. Install upper mount on mud flap, ensuring that the lower dimples on the rubber are utilized as shown in Diagram #1. Secure using (3) machine screws #012034, (3) flat washers #018018, and (3) nylock nuts #025005.
4. Remove the (3) factory screws on holes #5 to #7 as shown in Diagram #2.
5. Install the mud flap clip to the hole #1 with a capscrew #014066 and a flat washer #018028, then tighten screw until the bottom tab of the mud flap clip just passes through the bottom slotted hole of hole #1.
6. Install factory screws through holes #2 to #4 into factory holes #5 to #7 as shown in Diagram #2. Ensure that the installed mud flap clip is behind the factory wheel fender lip.
7. Square the flap with the tire while putting pressure against the wheel well and tighten the factory screw on holes #2 to #4.
8. Secure the upper tab of the mud flap by sliding the installed mud flap clip on hole #1 to the wheel well until mud flap clip's teeth are gripped behind the wheel fender lip, then tighten the screw.
9. Repeat procedure for the passenger side.

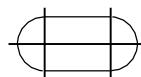
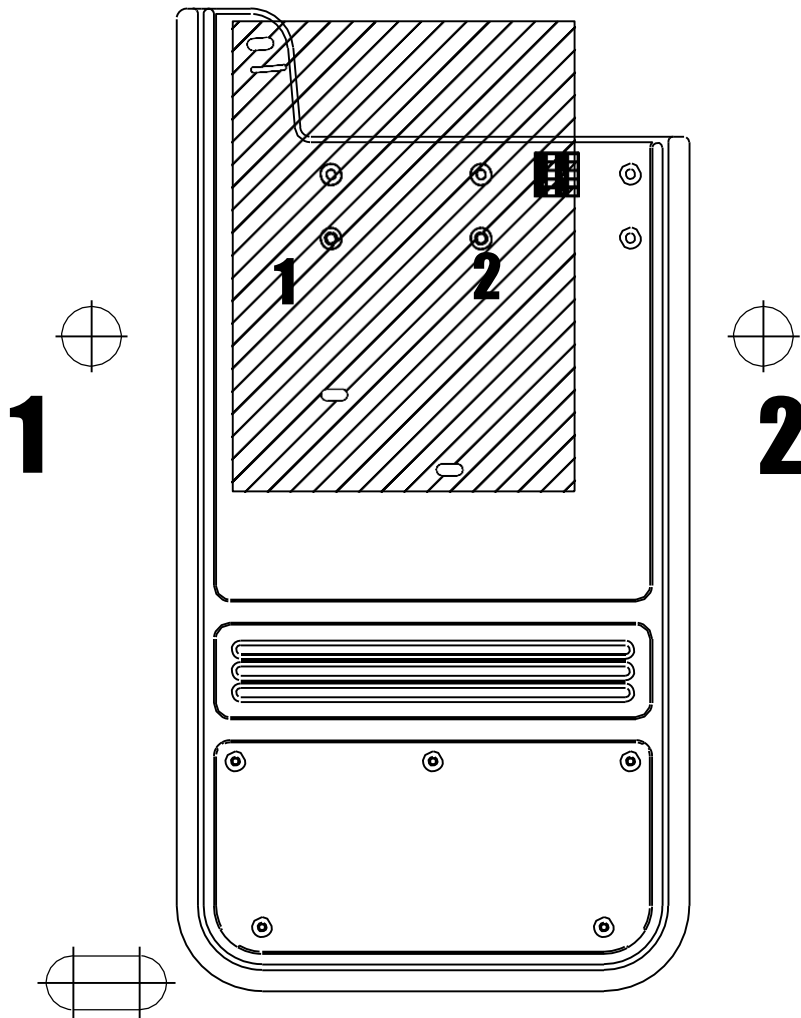




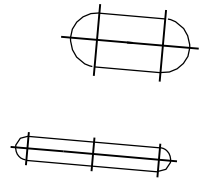
DRIVER SIDE

1. LAY TEMPLATE ONTO THE FRONT OF THE MUDFLAP. MAKE SURE TO ALIGN HOLE 1 & 2 WITH BOTTOM ROW DIMPLES ON THE MUD FLAP AS SHOWN

2. DRILL & CUT 4 SLOTTED HOLES



PASSENGER SIDE



1. LAY TEMPLATE ONTO THE FRONT OF THE MUDFLAP MAKE SURE TO ALIGN HOLE 1 & 2 WITH BOTTOM ROW DIMPLES ON THE MUDFLAP AS SHOWN

2. DRILL & CUT 4 SLOTTED HOLES

